

Fig 1: Flex pole - definitions

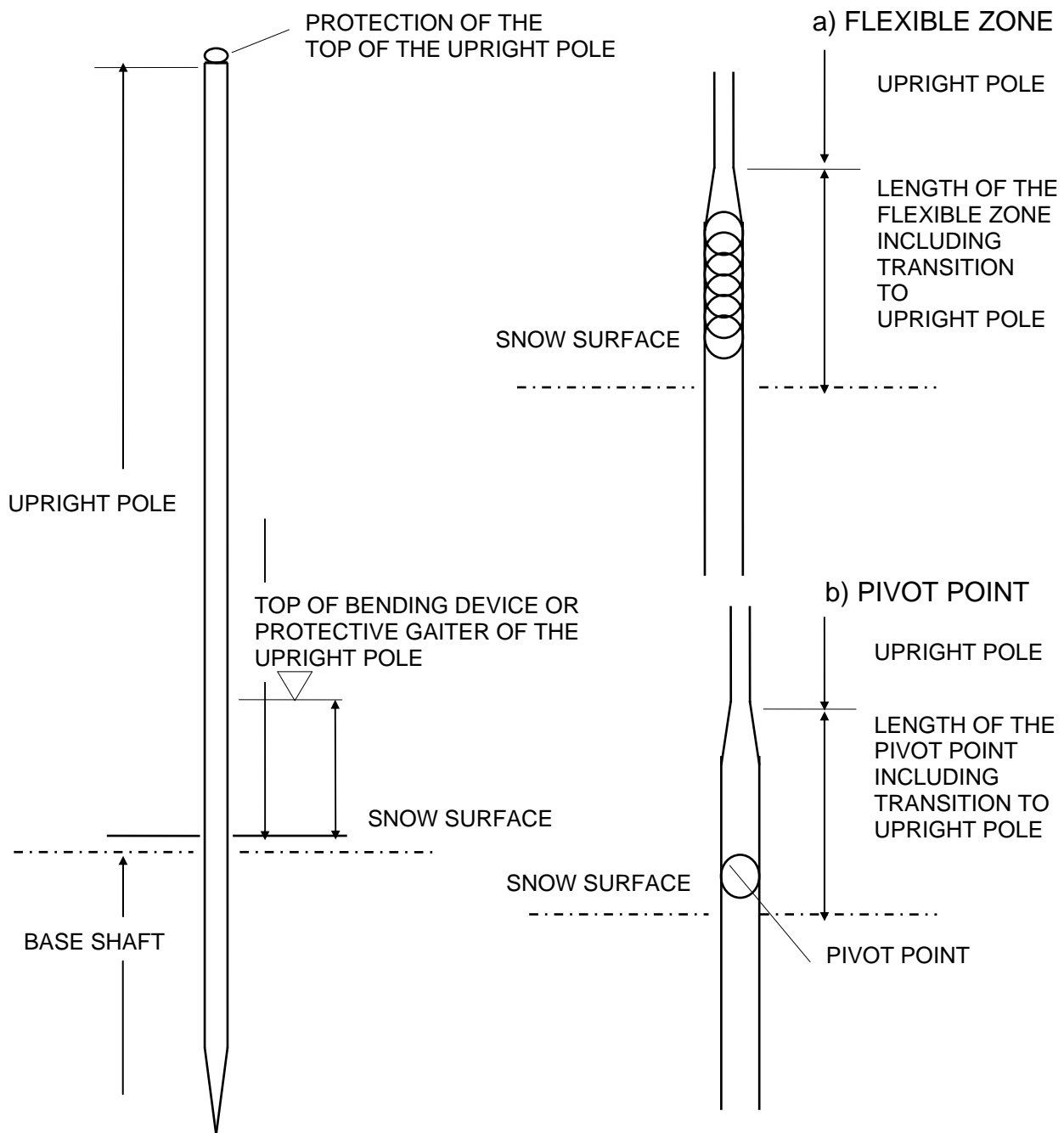


Fig 2: Function of pivot point and flexible zone systems

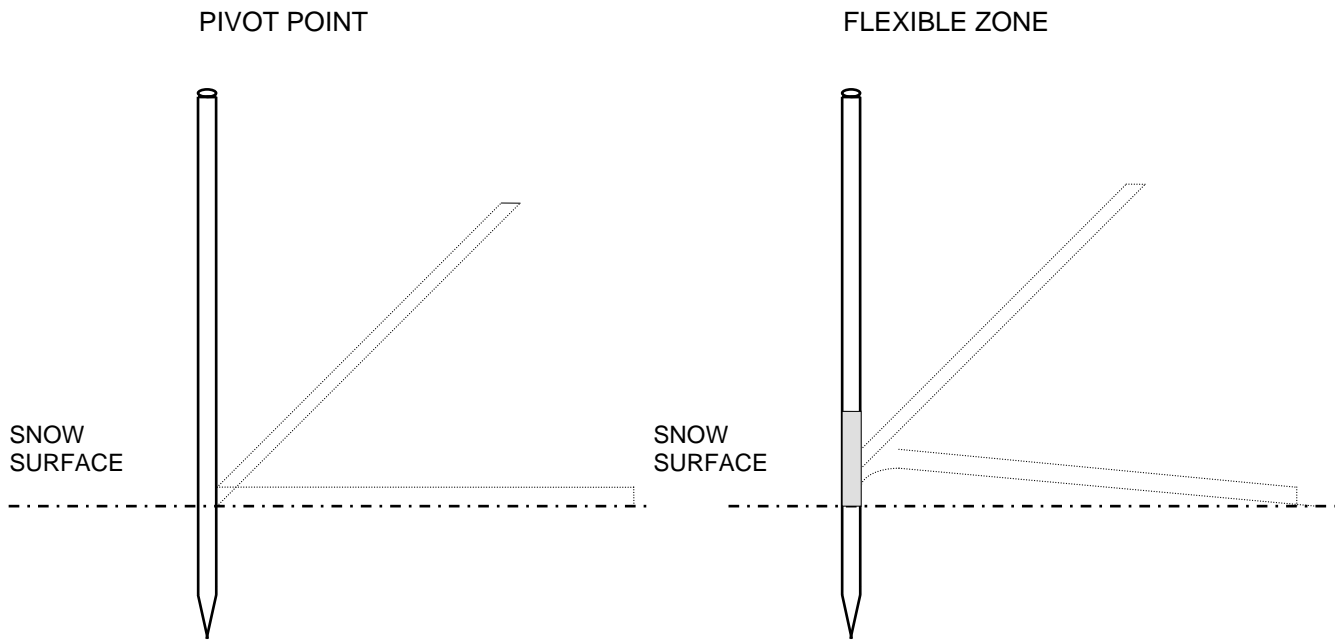


Fig. 3: Definition and testing of tipping resistance

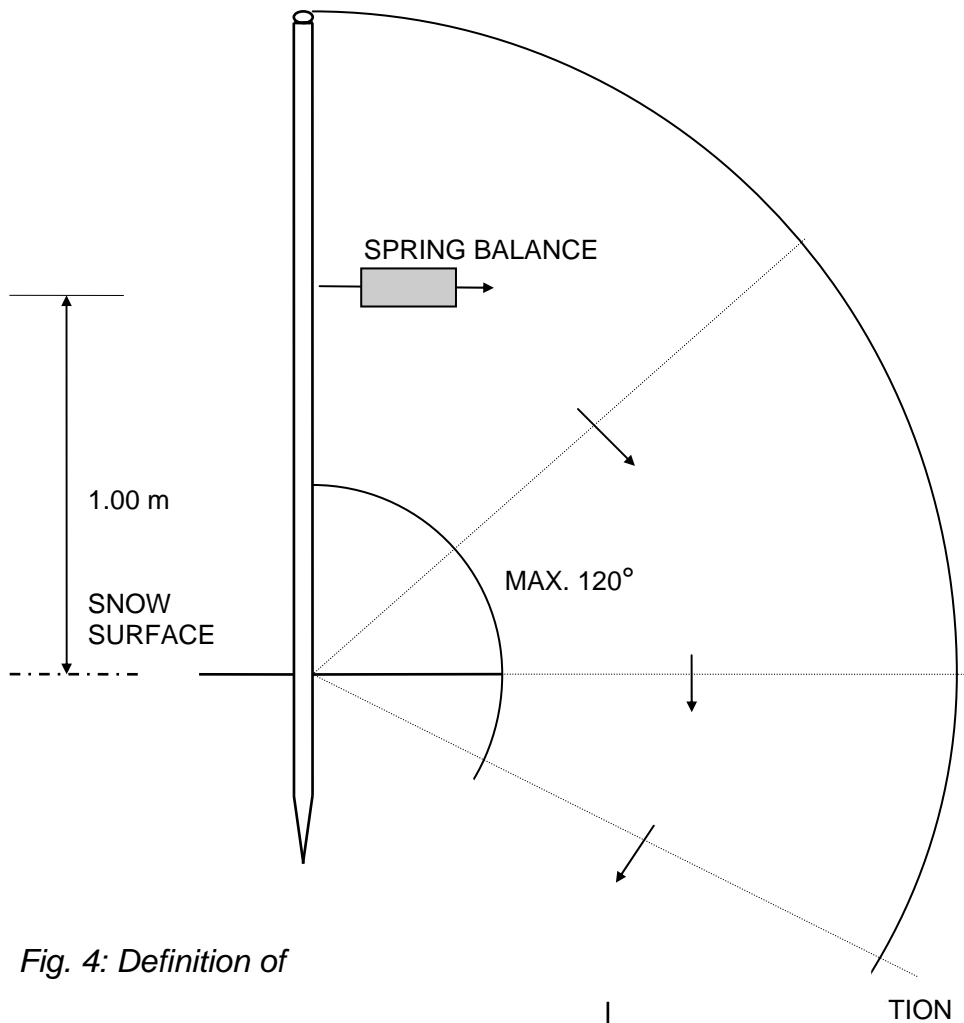


Fig. 4: Definition of

NEGATIVE DEFLECTION

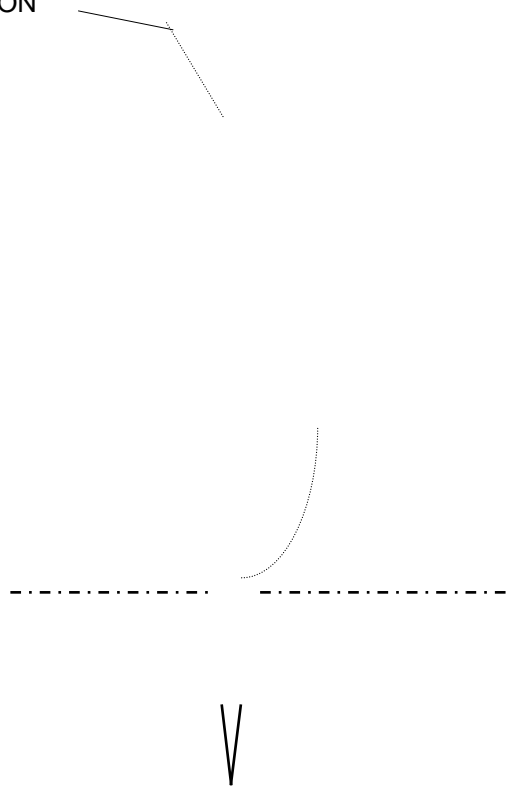


Fig. 5: Fixation for the measurement of the short-term bending test

