



DOLOMITI
DOLOMITES
DOLOMITIS

TRENTINO | 2013

fiemme

FIS NORDIC WORLD SKI CHAMPIONSHIPS

20.02 - 03.03

Presented by



INVITATION

valle wiva

www.fiemme2013.com

Presenting Sponsor



International Sponsors





INVITATION

TRENTINO | 2013
fiemme
FIS ALPINE WORLD SKI CHAMPIONSHIPS

VIESMANN
20.02 - 03.03

INVITATION	4
ORGANISATION	6
FIS OFFICIALS	7
PROGRAM	8
CROSS COUNTRY STADIUM	10
SKI JUMPING STADIUM	12
SUMMARY OF FIS RULES	16
ACCOMMODATION	18

INVITATION

WELCOME FROM THE PRESIDENT OF THE ORGANISING COMMITTEE – TIZIANO MELLARINI

Thanks to this World Championships, Val di Fiemme nominates itself the Land of Nordic Skiing, where whoever does love this discipline can find avant-guard tracks and hills and facilities, wisely set in the frame of the Dolomites, a recent Unesco's World Heritage.

Here, the cross country skiing discipline finds its highest expression. Nature is the main element and the eco-sustainability represents a key value. Moreover, the numerous accommodation facilities respect and show it through their heartiness, quality and welcoming atmosphere.

Val di Fiemme is a mini-world and its self-management and care to the environment are its flag. This root tradition comes from Magnifica Comunità di Fiemme, a more than 900-year-old institution that manages and safeguards the natural resources of this land.

For the valley and Trentino, this world event has also given us a huge motivation to take to the field our high organization and logistics that live up to an international and prestigious event.



The Organizing Committee and I welcome all the Federations' members in charge involved in this sport party, all the athletes, the technical staff and the friends who love this sport that succeeds in emphasizing the most authentic aspects of a winter-dressed territory.

I hope that during your stay in Val di Fiemme you can get many competitive satisfactions, personal enrichment and new friendship, with the aim to enforce the universal values of sport. I hope anyone of you can take his home a piece of Trentino, to pleasantly remember this land when this sport adventure is over.

SALUTO DA PARTE DEL PRESIDENTE DEL COMITATO ORGANIZZATORE – TIZIANO MELLARINI

Con questo terzo Campionato del Mondo la Val di Fiemme si consacra terra dello sci nordico, in cui troviamo piste e infrastrutture all'avanguardia per gli amanti di questa disciplina, incastonate nello scenario delle Dolomiti patrimonio naturale dell'Umanità Unesco.

Qui lo sci di fondo trova la sua terra di elezione in un contesto dove l'ambiente è al centro e dove l'eco-sostenibilità è un valore che si ritrova anche nelle tante strutture ricettive che creano quel sistema di accoglienza improntato su ospitalità, cordialità e qualità.

La Val di Fiemme è un micro mondo che ha fatto dell'autogoverno e dell'attenzione al patrimonio ambientale la propria bandiera. Una tradizione radicata nei secoli che trova il proprio fondamento nella Magnifica Comunità di Fiemme, istituzione che da oltre 900 anni è custode delle risorse ambientali di questa terra.

Per questa valle e per l'intero Trentino, l'evento iridato costituisce anche una forte motivazione per mettere in campo un livello organizzativo e una logistica all'altezza del prestigio internazionale di questa manifestazione.

A nome mio e del Comitato Organizzatore porgo il più cordiale benvenuto a tutti i responsabili delle Federazioni impegnate in questa festa di sport, agli atleti, ai tecnici e a tutti gli amici appassionati di questa splendida disciplina che sottolinea gli aspetti più autentici di un territorio nel suo abito invernale.

L'auspicio è che il soggiorno in Val di Fiemme possa rappresentare per tutti un momento di soddisfazione agonistica, di arricchimento personale e di amicizia all'insegna dei valori universali dello sport e che ciascuno possa con questa avventura portare con sé un pezzo di Trentino e un'esperienza da ricordare con piacere.

WELCOME FROM THE PRESIDENT OF THE ITALIAN WINTER SPORTS FEDERATION FLAVIO RODA

I have the big honour of inviting you officially - with this greetings of mine - to the Nordic World Ski Championships that are taking place in Val di Fiemme, for the third time in history. The whole world will have the chance of watching again the extraordinary scenarios of this valley of Trentino. In this occasion, more than 1000 athletes and members of national teams will have a close look to one of the Italian quintessential organizations of high-level sport events.

The Italian Winter Sports Federation – and in particular the cross country, ski jumping and Nordic Combined teams – have prepared themselves meticulously and in a perfect synergy with the structures that are going to host this World Championships' edition, in order to obtain the best results ever.

For the Italian sport world, 2013 World Championships represent the most important winter race event: the Italian Winter Sports Federation clearly knows that and has already demonstrated its awareness by sharing the efforts side by side with the local institutions and the Organizing Committee.

I want to thank all the authorities, organizers, volunteers of Trentino and Val di Fiemme, because I am sure that - once again – the Italian World Championships will be taken as a model all over the world.

I also want to wish a good luck to the athletes, men and ladies, from the 64 countries that are taking part in the races in order to let them and us live days of great show and unforgettable emotions.



SALUTO DA PARTE DEL PRESIDENTE DELLA FEDERAZIONE ITALIANA SPORT INVERNALI FLAVIO RODA

E' un grande onore per me aprire, con queste parole di saluto, la pubblicazione ufficiale dei Campionati del Mondo di Sci Nordico, che per la terza volta nella storia approdano in Val di Fiemme. Gli occhi del mondo avranno ancora una volta l'opportunità di apprezzare gli splendidi scenari di questa vallata del Trentino e gli oltre 1000 atleti e tecnici di tutte le nazionali potranno conoscere da vicino una delle eccellenze italiane in fatto di organizzazione di eventi sportivi di alto livello.

La Federazione Italiana Sport Invernali, ed in particolare le squadre di fondo, salto e combinata nordica, si sono preparate scrupolosamente, ed in perfetta sinergia con le strutture che ospitano questa edizione dei Campionati del Mondo, per ottenere il massimo risultato possibile.

I Campionati del Mondo Trentino Fiemme 2013, rappresentano per l'Italia degli sport invernali l'avvenimento agonistico più importante della stagione sul territorio nazionale: la Fisi ne ha la piena consapevolezza e lo ha dimostrato lavorando a stretto contatto con le Istituzioni locali e con il Comitato organizzatore.

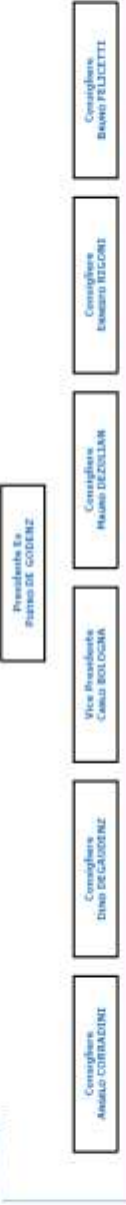
Desidero ringraziare autorità, organizzatori e volontari del Trentino e della Val di Fiemme perché sono certo che, ancora una volta, il Mondiale italiano sarà portato ad esempio nel mondo e voglio rivolgere il mio "in bocca al lupo" alle atlete e agli atleti di tutti i 64 Paesi partecipanti, perché vivano e ci facciano vivere giornate di grande spettacolo sportivo e di emozioni indimenticabili.

COMITATO PER LA PROMOZIONE DELLO SCI IN VAL DI FiemME

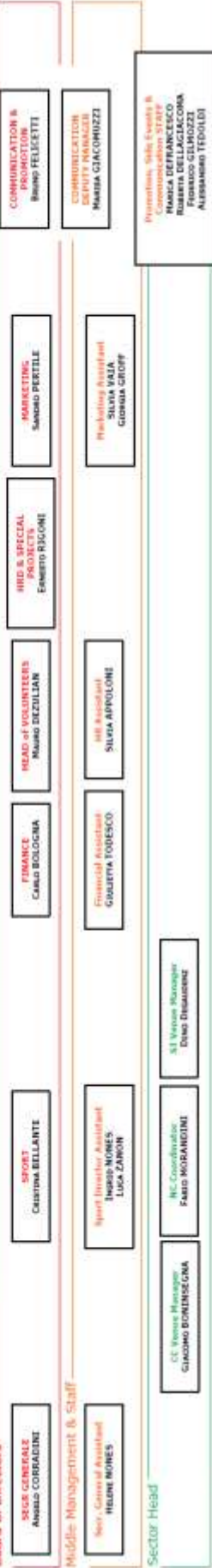
ISTITUZIONI PUBBLICHE E COMUNI - APT- MAGNIFICA COMUNITA' DI FiemME - FIS - F.I.S.I. - EBU - P.A.T. - ASSOCIAZIONI DI IMPRESE

NORDIC SKI VAL FiemME - SRL

LOC Council



Board of Directors



Service Head

Accreditations PAOLO ROSSIGNOLI	Race office Director MAURO VENTURA	Auditor CARLO DELL'ACQUO	General Security GIANLUIGI TRENTINO	HRD Courses SERAFINO PIRELLI	Broadcast Production ALBERTO DEFENDENZI	Golfing Training MAURO GILARDI	Press Office MAURO FELICETTI
I.T. Coordinator FRANCO PISCHIEDDA	HEL Service Director LUCA MARTELLI	Fiscal Advisor GIANNARDO SONTACCO	Emergency Plan SERAFINO SANDRI	Ecology Project MASSIMO PIAZZI	TBC AUGUSTO DI BEASE	Tobacco PAOLO PARTEL	Radio/TV Eds. LUCILLA GRANATA
Website JUNIPER	Weather Forecast MARIO TRENTINO	Legal Advisor ANTONIO D'ADDIO	Surveillance ANDREA DALLA LIBERA	School Project ANDREA BAZZARELLA	TV Logistics MARTINO GIACOMIZZI	Fedro Alps Hospitality Gloria, Elisabetta, ANNA VIANCO, NUOVA BARBERIS	Tourism Board P.O. FRANCICA CERRE, ANNA VIANCO
Ticketing Support TRENTO DEL TORRE	RC Chief of Camp ANDREA BUCCHIA	Insurance Advisor DENIS BUZZI	Traffic PAOLO ZOTTA	Youth Project MICHELE PALUPER	Head 2 Head VICENTINA VIANCO, SI PIETRO VIANCO	Clumps Atmosphere SERAFINO ZORZI	Web Comm. MARIO SELLE
EDP Technologies FRANCO PISCHIEDDA	RC Camp. Secretary ROBERTA GABRIELLI	Establishment D. BUZZI / S. STEFF	Transport CARLUCCIO BISSONE	Study Groups CARLA BRATTO	Official/Cloning Ceremonies IVE MORANDINI	Camp Training GIUSEPPE FACCHINI	Accommodation & Sales URSULA BORDANONE, ALESSIA BASTONI
Philately GIULIANO STROPPARI	SI Stadium Coordinator PIETRO VIANCO	Partners RISORCIO SELLE	Emergency Service ANDRÈ CORRADINI	Olympic Ceremony DINA GABSETTI, MAURIZIO DEFENDENZO	South Nordic Festival ELISA GIANNONE, TULLIO MILAN	Event MARIO DEBATTIO, DAVID DEBARCHI	Flowers Tradition GIANNI VANZETTA
Photography MICHELE BORGATTA	SI Stadium Security CORRADINO DI COCCO	Emergency Service ANDRÈ CORRADINI	Radio Service G. SCOTTA/PIRELLI	Accessible Events MARTINO BONAZZA	Forum ELISA GIANNONE, TULLIO MILAN	Event MARIO DEBATTIO, DAVID DEBARCHI	Media Assistance MAURIZIO ZORZI
Skifair GIUSEPPE FERRAROLI	SI IB Director FERMINO DEVIALLA	Warehouse FERRECCO CORRADINI	Warehouse CORRADINI	Speakers SANDRO CALZI, PIERO BROGLI	Culture/Sport/Popular Events MAURO FELICETTI, GUSTO BRIGADOLI	Event MARIO DEBATTIO, DAVID DEBARCHI	Media Assistance MAURIZIO ZORZI
	Dota Service ROBERTO BRIGADOLI	Printing MAURO VARESCO	Printing MAURO VARESCO	Merchandising MAPETZ			
	Post Service ROBERTO BRIGADOLI	Post Service STEFANO LOMGO	Post Service ENZO PAGOZZINO				
	Printing MAURO VARESCO						

FIS OFFICIALS

CROSS-COUNTRY

FIS RACE DIRECTOR	PIERRE MIGNEREY,	(FIS)
CROSS COUNTRY COORDINATOR	SANDRA SPITZ,	(FIS)
TECHNICAL DELEGATE	JUSSI PRYKÄRI,	(FIN)
TD ASSISTANT	PETR MACH,	(CZE)
JURY MEMBERS	ROBERT PEETS,	(EST)
	SOFIA KIELPINSKA,	(POL)
EQUIPMENT CONTROL	VEGARD ULVANG,	(NOR)
MEDIA COORDINATOR	MICHAL LAMPLIT,	(FIS)



SKI JUMPING

FIS RACE DIRECTOR	WALTER HOFER,	(FIS)
ASSISTANT RACE DIRECTOR	MIRAN TEPES,	(FIS)
TECHNICAL DELEGATE	FREDY ZARUCCHI,	(SUI)
TD ASSISTANT	IVO GREGER,	(CZE)
FIS RACE DIRECTOR LADIES	CHIKA YOSHIDA,	(FIS)
CHIEF OF DISTANCE MEASURER	FRANZ RAPPENGLÜCK,	(GER)
JUDGES	LEONARDO DE GRIGNIS,	(ITA)
	GERHARD KRAB,	(AUT)
	KITAJAMA MITSUNORI,	(JPN)
	TADEUSZ SZOSTAK,	(POL)
	BRANE BENEDIK,	(SLO)
	FABRICE PIAZZINI,	(SUI)
EQUIPMENT CONTROL	JOUKO TOERMAENEN,	(FIN)
EQUIPMENT CONTROL LADIES	AGA BACZKOWSKA,	(POL)
TECHNICAL SUPPORT	SEPP GRATZER,	(FIS)
MEDIA COORDINATOR	HORST NILGEN,	(FIS)



NORDIC COMBINED

FIS RACE DIRECTOR	ULRICH WEHLING,	(FIS)
NORDIC COMBINED COORDINATOR	LASSE OTTESEN,	(FIS)
ASSISTANT RACE DIRECTOR	JAN RUNE GRAVE,	(FIS)
TECHNICAL DELEGATE	OLAF-ARNE SWEEN,	(NOR)
TD ASSISTANT	UWE MÜHLN,	(GER)
EQUIPMENT CONTROL	TBC	
TECHNICAL SUPPORT	GUNTRAM KAUS,	(FIS)
MEDIA COORDINATOR	TBC	(FIS)



MEDICAL / ANTIDOPING

MEDICAL SUPERVISOR	JENNY SHUTE,	(GBR)
BLOOD TESTING	TBC	
FIS ANTIDOPING EXPERT	RASMUS DAMSGAARD,	(DAN)

CROSS COUNTRY

MON 18 FEB	h 10:00 - 16:30 h 18:00	<i>Training</i> Team Info Meeting
TUE 19 FEB	h 10:00 - 16:30 h 17:30	<i>Official training L+M</i> Team Captains Meeting
WED 20 FEB	h 9:45 - 10:35 h 10:45 - 11:35 h 11:45 - 12:35 h 12:45 - 13:35 h 15:00 - 16:30 h 17:30	<i>Official Training L</i> Qual. Race Ladies 5km F <i>Official Training M</i> Qual. Race Men 10km F <i>Official training L+M</i> Team Captains Meeting
THU 21 FEB	h 9:45 - 10:35 h 10:45 - 11:35 h 12:45 - 14:00	<i>Official training L+M</i> L + M Sprint C (Qualification) L + M Sprint C (Final)
FRI 22 FEB	h 9:00 - 12:00 h 17:30	<i>Official Training L+M</i> Team Captains Meeting
SAT 23 FEB	h 11:15 - 12:30 h 12:45 - 13:40 h 13:45 - 14:05 h 14:15 - 15:45 h 17:30	<i>Official Training L</i> Ladies Skiathlon 7.5km C + 7.5 F <i>Official Training M</i> Men Skiathlon 15km C + 15 F Team Captains Meeting
SUN 24 FEB	h 9:00 - 9:45 h 10:00 - 10:50 h 11:00 - 11:45 h 12:00 - 13:00	<i>Official Training L+M</i> L + M Team Sprint F (Qualification) <i>Official Training L+M</i> L + M Team Sprint F (Final)
MON 25 FEB	h 10:00 - 16:30 h 17.30	<i>Official Training L+M</i> Team Captains Meeting
TUE 26 FEB	h 10:30 - 12:15 h 12:45 - 14:00 h 14:30 - 16:30 h 17:30	<i>Official Training L</i> Interval Start Ladies 10km F <i>Official Training L+M</i> Team Captains Meeting
WED 27 FEB	h 11:00 - 12:35 h 12:45 - 14:15 h 15:00 - 16:30 h 17:30	<i>Official Training Men</i> Interval Start Men 15km F <i>Official Training L+M</i> Team Captains Meeting
THU 28 FEB	h 10:45 - 12:30 h 12:45 - 13:45 h 16:00 - 17:00 h 17:30	<i>Official Training L</i> Ladies Relay 4x5km C+F <i>Official Training L+M</i> Team Captains Meeting
FRI 1 MAR	h 11:30 - 13:15 h 13:30 - 15:15 h 15:00 - 17:00 h 17:30	<i>Official Training M</i> Men Relay 4x10km C+F <i>Official Training L+M</i> Team Captains Meeting
SAT 2 MAR	h 10:15 - 12:00 h 12:15 - 13:45 h 16:00 - 17:00 h 17:30	<i>Official Training L</i> Ladies 30km C Mass Start <i>Official Training M</i> Team Captains Meeting
SUN 3 MAR	h 11:00 - 12:15 h 12:30 - 14:45 Follows	<i>Official Training M</i> Men 50km C Mass Start Closing Ceremony

NORDIC COMBINED

MON 18 FEB	h 10:00 - 16:30 h 17:00	Training CC Team Info Meeting
TUE 19 FEB	h 9:00 - 11:00 h 14:30 - 16:30	Official Training HS 106 Training CC
WED 20 FEB	h 9:00 - 11:00 h 15:00 - 16:30	Official Training HS 106 Training CC
THU 21 FEB	h 9:00 - 11:00 h 15:00 - 16:30 h 17:30	Official Training HS 106 Training CC Team Captains Meeting
FRI 22 FEB	h 9:00 h 10:00 h 13:00 - 14:45 h 15:00	<i>Trial Round</i> Individual Gundersen HS 106 Official Training CC Individual Gundersen 10km
SAT 23 FEB	h 9:00 - 11:00 h 16:15 - 17:30 h 18:00	Official Training HS 106 Team Official Training CC Team Captains Meeting
SUN 24 FEB	h 9:00 h 10:00 h 13:30 - 14:45 h 15:00	<i>Trial Round Team</i> Team HS 106 Official Training CC 4x5km Team
MON 25 FEB	h 9:00 - 11:00 h 14:30 - 16:30	Official Training HS 134 Official Training CC
TUE 26 FEB	h 9:00 - 11:00 h 14:30 - 16:30	Official Training HS 134 Official Training CC
WED 27 FEB	h 9:00 - 11:00 h 15:00 - 16:30 h 16:30	Official Training HS 134 Official Training CC Team Captains Meeting
THU 28 FEB	h 9:00 h 10:00 h 14:15 - 15:15 h 15:30	<i>Trial Round</i> Individual Gundersen HS 134 Official Training CC Individual Gundersen 10km
FRI 1 MAR	h 9:00 - 11:00 h 15:30 - 16:30 h 16:30	Official Training HS 134 Team Official Training CC Team Captains Meeting
SAT 2 MAR	h 9:00 h 10:00 h 14:15 - 14:45 h 15:00	<i>Trial Round Team Sprint</i> Team Sprint HS 134 Official Training CC Team Sprint 2x7,5km

SKI JUMPING

TUE 19 FEB	h 14:00 h 16:00 - 17:00 h 19:00	Team Info Meeting Ladies Official Training Ladies HS 106 Team Info Meeting Men
WED 20 FEB	h 16:00 - 17:00 h 17:30 - 19:30 h 18:00	Official Training Ladies HS 106 Official Training Men HS 106 Team Captains Meeting Ladies
THU 21 FEB	h 14:30 h 15:30 h 17:00 - 19:00 h 18:15 Follows	Trial Round Ladies HS 106 <i>Qualification Ladies HS 106</i> Official Training Men HS 106 Team Captains Meeting Ladies Team Captains Meeting Men
FRI 22 FEB	h 15:00 h 16:00 h 18:00	Trial Round Ladies HS 106 <i>Individual HS 106 Ladies</i> <i>Qualification Men HS 106</i>
SAT 23 FEB	h 16:00 h 17:00 h 19:00	Trial Round Men <i>Individual HS 106 Men</i> Team Captains Meeting Men
SUN 24 FEB	h 16:00 h 17:00	Trial Round Team Mix <i>Team Mix HS 106</i>
MON 25 FEB	h 14:00 h 17:00 - 18:30	Team Captains Meeting Men Official Training HS 134 Men
TUE 26 FEB	h 17:00 - 18:30 h 19:00	Official Training HS 134 Men Team Captains Meeting Men
WED 27 FEB	h 15:00 - 16:00 h 16:00 h 17:00	Official Training HS 134 Men Trial Round HS 134 Men <i>Individual Qual. HS 134 Men</i>
THU 28 FEB	h 16:00 h 17:00	Trial Round Men HS 134 Men <i>Individual HS 134 Men</i>
FRI 1 MAR	h 16:00 - 17:30 h 18:00	Official Training HS 134 Team Team Captains Meeting Men
SAT 2 MAR	h 15:30 h 16:30	Trial Round <i>Team HS 134 Men</i>

CEREMONIES



WED 20 FEB	H 18:00	OPENING CEREMONY	TRENTO	WED 27 FEB	H 19:00	CC - INTERVAL START MEN	CAVALESE
THU 21 FEB	H 19:00	CC - LADIES SPRINT	CAVALESE	FRI 1 MAR	H 19:00	CC - RELAY LADIES	CAVALESE
	H 19:00	CC - MEN SPRINT	CAVALESE		H 19:00	NC - INDIVIDUAL GUND. HS 134	CAVALESE
SAT 23 FEB	H 21:00	NC - INDIVIDUAL GUND. HS 106	CAVALESE		H 19:00	SJ - INDIVIDUAL MEN HS 134	CAVALESE
	H 21:00	SJ - LADIES HS 106	CAVALESE		H 19:00	CC - RELAY MEN	CAVALESE
	H 21:00	CC - LADIES SKIATHLON	CAVALESE	SAT 2 MAR	H 21:00	CC - LADIES 30 KM	CAVALESE
	H 21:00	CC - MEN SKIATHLON	CAVALESE		H 21:00	NC - TEAM SPRINT	CAVALESE
	H 21:00	SJ - MEN HS 106	CAVALESE		H 21:00	SJ - TEAM HS 134	CAVALESE
MON 25 FEB	H 19:00	NC - TEAM HS 106	CAVALESE	SUN 3 MAR	H 15:00	CC - MEN 50 KM	LAGO DI TESERO
	H 19:00	CC - LADIES TEAM SPRINT	CAVALESE		FOLLOWS	CLOSING CEREMONY	LAGO DI TESERO
	H 19:00	CC - MEN TEAM SPRINT	CAVALESE				
	H 19:00	SJ - MIXED TEAM HS 106	CAVALESE				
TUE 26 FEB	H 19:00	CC - INTERVAL START LADIES	CAVALESE				

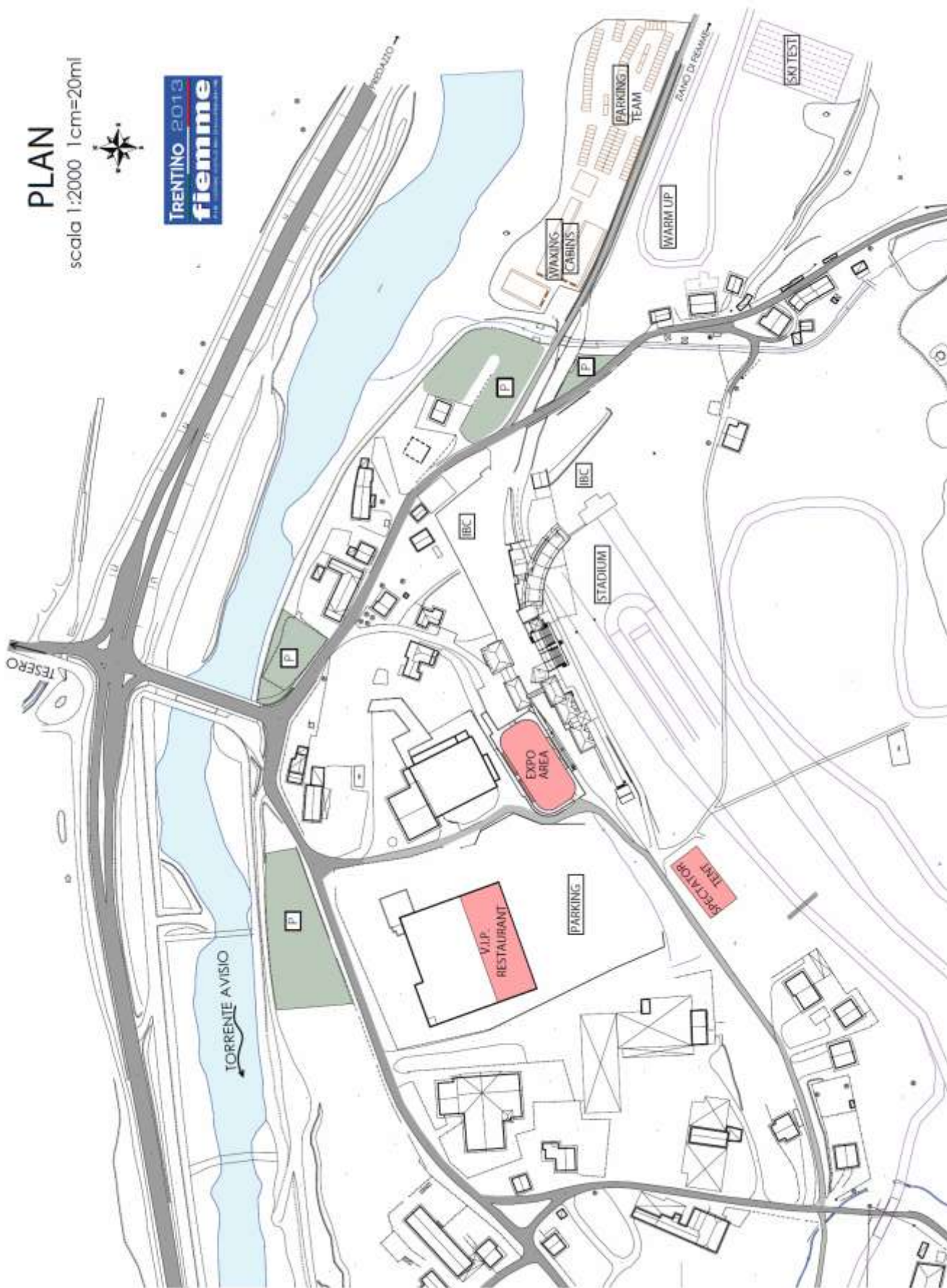
PLEASE NOTE: ALL TEAM CAPTAINS' MEETINGS WILL BE IN CVALESE

CROSS COUNTRY STADIUM



PLAN

scala 1:2000 1cm=20m



SKI JUMPING STADIUM





Fiemme	Via S. Giovanni, 10 38100 Trento (TN) Tel. +39 0461 834111 Fax +39 0461 834112 www.fiemme.com
STADIUM 2013 Via S. Giovanni, 10 38100 Trento (TN) Tel. +39 0461 834111 Fax +39 0461 834112 www.stadium2013.com	STADIUM 2013 Via S. Giovanni, 10 38100 Trento (TN) Tel. +39 0461 834111 Fax +39 0461 834112 www.stadium2013.com

Certificate of the Ski Jumping Hill - HS 106



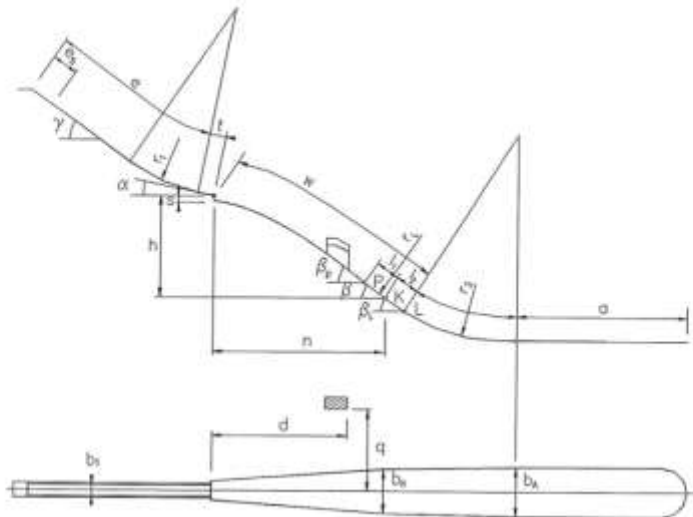
FÉDÉRATION INTERNATIONALE DE SKI
 INTERNATIONAL SKI FEDERATION
 INTERNATIONALER SKI - VERBAND



No. 285 / ITA 8 1. Verlängerung

CERTIFICATE OF JUMPING HILL CERTIFICAT DE CONFORMITE SCHANZENPROFILBESTÄTIGUNG

Date of issue Établi le Ausgestellt am	09.12.2011	Valid till Valable jusqu' au Gültig bis	31.12.2016
Place:	Predazzo	Name:	W 95
HS =	106 m	h/n =	0.552
		Vo =	23.8m/s



e = 92,58 m	$l_1 = 10,34$ m	P = 84,66 m
$e_s = 23,80$ m	$l_2 = 10,65$ m	K = 95,00 m
t = 6,5 m	a = 100 m	L = 105,65 m
$\gamma = 30^\circ$	$\beta_p = 36,44^\circ$	$b_1 = 2,5$ m
$\alpha = 10,5^\circ$	$\beta = 34,99^\circ$	$b_K = 19,00$ m
$r_1 = 85,2$ m	$\beta_L = 31,4^\circ$	$b_A = 20,90$ m
h = 45,56 m	$r_L = 239,82$ m	d = 41,00 m
n = 82,66 m	$r_2 = 102$ m	q = 22,50 m
s = 2,38 m		

JUMPING HILL APPROVED BY THE FIS
 TREMPLIN HOMOLOGUE PAR LA FIS
 DURCH DIE FIS GENEHMIGTE SPRUNGSCHANZE

SUB-COMMITTEE FOR JUMPING HILLS

CHAIRMAN:

Certificate of the Ski Jumping Hill - HS 134



FÉDÉRATION INTERNATIONALE DE SKI
INTERNATIONAL SKI FEDERATION
INTERNATIONALER SKI - VERBAND

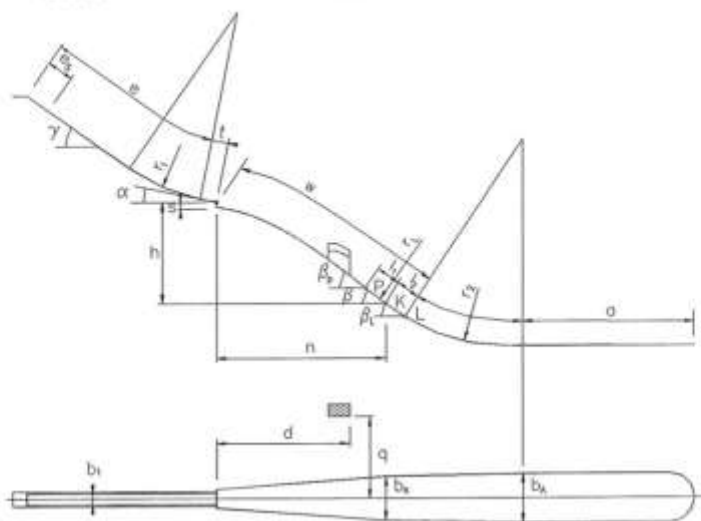


No. 286 / ITA 9 1. Verlängerung
CERTIFICATE OF JUMPING HILL
CERTIFICAT DE CONFORMITE
SCHANZENPROFILBESTÄTIGUNG

Date of issue 09.12.2011 Valid till 31.12.2016
 Établi le Valable jusqu' au
 Ausgestellt am Gültig bis

Place: Predazzo Name: W 120

HS = 134 m $h/n = 0.577$ Vo = 25.7m/s



$e = 115.36$ m	$l_1 = 16.60$ m	$P = 103.40$ m
$e_s = 35.00$ m	$l_2 = 13.90$ m	$K = 120$ m
$t = 7.00$ m	$a = 100$ m	$L = 133.90$ m
$\gamma = 30^\circ$	$\beta_p = 37,92^\circ$	$b_1 = 2.5$ m
$\alpha = 10.5^\circ$	$\beta = 34,9^\circ$	$b_K = 24$ m
$r_1 = 106,39$ m	$\beta_L = 31,72^\circ$	$b_A = 26.40$ m
$h = 59,48$ m	$r_L = 310,85$ m	$d = 66.15$ m
$n = 103,16$ m	$r_2 = 99,61$ m	$q = 48.00$ m
$s = 3.00$ m		

JUMPING HILL APPROVED BY THE FIS
 TREPLIN HOMOLOGUE PAR LA FIS
 DURCH DIE FIS GENEHMIGTE SPRUNGSCHANZE

SUB-COMMITTEE FOR JUMPING HILLS
 CHAIRMAN: *Carinh*

SUMMARY OF FIS RULES

8. Eligibility and Citizenship of the Competitors

To be eligible for entry in FIS World Championships the competitor must be a citizen of the country of which National Ski Association he has a license and prove this with a valid passport (ICR 203).

9. Number of Participants and Officials

9.1 The maximum number of participants from each country shall be:

9.1.1 Nordic events - Cross-Country, Ski Jumping, Nordic Combined.

No more than Cross-Country 12 men, Cross-Country 12 ladies, Nordic Combined 6, Ski Jumping Men 6, Ski Jumping Ladies 5, plus the competitors according to art. 9.3.

9.2 Number of participants in each single event

In each single event no more than 4 competitors per National Ski Association plus the competitors according to art. 9.3, are entitled to start.

9.2.1 Official Training Ski Jumping and Nordic Combined

A MAXIMUM NUMBER OF 6 ATHLETES (SKI JUMPING LADIES 5) MAY TAKE PART IN THE OFFICIAL TRAINING PLUS COMPETITORS ACCORDING TO ART. 9.3.

9.3 The reigning FIS World Champion

The reigning FIS World Champions have the right to participate in addition to the quota in the event they won at the next FIS World Championships, if they are entered by the same National Association (this is valid only for the individual competitions and not for the team competitions). If however the World Champion is also entered for other events, he/she must be included within the quota.

9.4 The maximum number of team officials, medical and technical personnel per national team shall be:

9.4.1 FIS Nordic World Ski Championships Number of disciplines (Cross-Country Men and Ladies, Nordic Combined, Ski Jumping Men and Ladies)	Number of starting competitors	Number of officials
4+	20 or more	20
	15 - 19	16
	10 - 14	12
	5 - 9	8
	2 - 4	6
3	20 or more	15
	15 - 19	12
	10 - 14	9
	5 - 9	7
	1 - 4	5
2	20 or more	10
	15 - 19	8
	10 - 14	6
	1 - 9	4
1	9 to 12	6
	5 to 8	5
	1 to 4	4

13. Time-limits for Entry

Overview

Art.	When	What	Who
13.1	July 1st	Official Invitation to all National Ski Associations	Organising Committee
13.2	3 months	Preliminary team entry	Each National Ski Association
13.3.1	21 days before beginning of respective FIS World Championships	Provisional team selection	Each National Ski Association
9, 13.3.2,	24 hrs after the last FIS World Cup event before the respective Championships	Final team selection	National Ski Association
13.4	2 hrs before the draw	Definite Entries: Nordic disciplines	National Ski Association/ Team Captain

13.2 Preliminary team entry for each nation

National entry, using the entry form supplied by the Organizing Committee and stating the preliminary total number of the national team competitors, also giving details of the number of officials and the approximate number of competitors in each of the following groups of events. In principle this is 30th October of the preceding year:

13.2.1 Nordic Events: Cross-Country Men, Cross-Country Ladies, Ski Jumping Men, Ski Jumping Ladies, Nordic Combined

13.4 Time-limit for definite entries

Definite entries per event, stating names and group classification of competitors according to the International Competition Rules.

Nordic Events:

- **2 HOURS BEFORE THE DRAW.**

Qualification Race for WSC Individual start 10/15 km competitions

A qualification race (5 km for Ladies and 10 km for Men) will be held on the 20th. February 2013.

Ladies with more than 120 FIS Distance points according to the last FIS points list have to do the qualification.

Men with more than 90 FIS Distance points according to the last FIS points list have to do the qualification.

From each gender the best 10 athletes in the qualification race are allowed to enter the WSC Individual 10/15 km competitions on February 26th. and 27th.

Final entries have to be submitted 2 hours before the Team Captains' Meeting on 19 February.

14. Anti-Doping and Medical Rules

14.1 If any question or protest arises as to the gender of the athlete, FIS shall assume responsibility for taking the necessary steps to determine the gender of the athlete (ICR art. 221.4).

14.2 The FIS Anti-Doping Rules compiled in accordance with the World Anti-Doping Code define all by-laws concerning anti-doping controls.

14.3 Anti-doping control of all events is compulsory.

17.5 Accommodation

17.5.1 At FIS World Championships in the Nordic disciplines the maximum price per person (non-qualified athletes, team officials according to the quotas in 9.4.1 and 9.4.2) for accommodation and three meals including non-alcoholic drinks with each meal may not exceed CHF 120 for the championships per day. In the event that the inclusion of the National Ski Association's President & Secretary General exceeds the

maximum quota of officials for the respective discipline, then the applicable price is the same as 9.4.4 Extra Officials.

17.5.2 For extra team officials and special guests, according to the quotas defined in art. 9.4.4 and 9.4.6, that are officially entered and whose accommodation has been reserved through the LOC, the maximum price for accommodation with half board shall not exceed the maximum price at the same period the previous year in the same accommodation (plus/minus inflation), but in any case not exceed CHF 200.

17.7 Qualification for Free Accommodation

Competitors who qualify according to the following criteria are entitled to free accommodation with full board including non-alcoholic drinks with each meal for the duration of their participation. Participation is defined from the day (evening meal) before the first official training until the morning (breakfast) after the competition. The number of nights free accommodation with full board for qualified competitors are in principle as follows, whereby the system is adapted to the respective Championship program and published by the Organizing Committee in the team invitation, following agreement with FIS:

17.7.1 Free Accommodation - Nordic Disciplines

- Cross-Country

All athletes, male and female, having achieved at least one result better than 75 FIS Cross-Country points, as well as one male and one female athlete of each FIS affiliated National Ski Association without an athlete qualified according to the above-mentioned limitations.

- Ski Jumping

ALL ATHLETES WHO QUALIFY FOR PARTICIPATION IN FIS WORLD CUP AND SKI FLYING COMPETITIONS WHO:

- have already gained WC points
- have gained at least one COC point in the past or the current season.

- Nordic Combined

All athletes who qualify for participation in FIS World Cup competitions, who:

- have already gained WC points
- have gained at least one COC point in the past (former WC "B") or the current season
- as well as one athlete of each FIS affiliated National Ski Association without a competitor qualified according to the above-mentioned limitations.

FOR THE NORDIC DISCIPLINES: CROSS-COUNTRY, SKI JUMPING, NORDIC COMBINED THE NUMBER OF NIGHTS OF FREE ACCOMMODATION FOR QUALIFIED COMPETITORS WHO PARTICIPATE IN THE RESPECTIVE COMPETITION IS 4 NIGHTS PER COMPETITION. THE MAXIMUM NUMBER OF NIGHTS OF FREE ACCOMMODATION WITH FULL BOARD CANNOT EXCEED THE TOTAL DURATION OF THE CHAMPIONSHIPS.



ACCOMMODATION

Teams/athletes will be accommodated in hotels of a very good standard in the villages of Val di Fiemme, from 5 to max 20 minutes by car from the venues.

The LOC has a good cooperation with the hotels and can assure an adequate accommodation especially adjusted to the needs of the athletes and teams.

The hotels are adapted to the needs of the athletes, especially regarding the selection of food and times for meals served at the hotel. Three meals (breakfast, lunch, dinner) per day will be served at the hotel, with sufficient food and 1 soft drink per meal.

The booking of accommodation will be managed by the Official Incoming Agency, Ursula Guadagnini:

Booking Centre APT Val di Fiemme
Via F.lli Bronzetti, 60
38033 Cavalese (TN) Italy
ursula.guadagnini@visitfiemme.it
Tel. +39 0462 341419
Fax. +39 0462 231621

As soon as the Official Incoming Agency will receive the requests, a detailed offer will be sent to NSA.

The LOC won't be responsible for that teams wishing to take care of their own accommodation arrangements.

Deadline for preliminary entry

Within September 15th 2012 nr. of double and single rooms and arrival/departure days must be communicated. Please note that O.C. cannot guarantee for rooms or prices after this date.

Payment

50% within November 15th 2012

50% within December 15th 2012

The LOC will cover the accommodation for the qualified athletes and team members according to the quota.

A reimbursement of the expenses will be prepared according to the rules of free accommodation for qualified competitors after the event, and will be paid out before April 30th 2013.

Cancellation Fee

Cancellation can be done without charges in case that: Cancellation up to 100% of the original reservation is received before October 30th 2012

Cancellation up to 50% of the original reservation is received before November 30th 2012

Cancellation up to 20% of the original reservation is received January 22nd 2012

The last specified booking received January 22nd will be considered as final and will be the basis for the calculation of the total payment, cancellation fees and no-shows.

In case of no show, no refund (100% of the reservation has to be paid)

If cancellation is received later than the above mentioned dates, the teams have to pay 100% of the reservation.

Contact Person

Ursula Guadagnini

ursula.guadagnini@visitfiemme.it

Team:

Person in charge:

Name:

Address:..... N°:.....

ZIP:..... City State:.....

Telephone: Fax:.....

E-Mail:

Ski Jumping Arrival: Departure: Pax:

Cross Country Arrival: Departure: Pax:

Nordic Combined Arrival: Departure: Pax:

Officials Arrival: Departure: Pax:

	MALE		FEMALE	
	SINGLE ROOM	DOUBLE ROOM	SINGLE ROOM	DOUBLE ROOM
Ski Jumping				
Cross Country				
Nordic Combined				
Officials				

Total Pax:

Prize

The Prize Money will be transferred electronically by bank transfers to the successful competitors. We kindly ask the Team Managers to provide the correct bank coordinates (BIC/SWIFT/IBAN) in order to proceed with the payments.

Transportation

Transportation to and from the airport will be provided for free. Please for transport from the airport fill in the enclosed form.

Insurance

All participants need to have accident insurance. The organizer will not be liable for accidents of participants, organizers and spectators.

Radio Communication

Anyone planning to use radio frequency equipment in Italy, has to apply to:

Studio Ing. Libero Cannarozzi
Ingegneria delle Telecomunicazioni e Sistemi
Phone +39 02 45109050
e-mail libero.cannarozzi@intelsi.com

The deadline for frequencies applications for the NWSC Fiemme 2013 is October 30th 2012.

Accreditation and Race Office

The Main Accreditation Centre will be located at the "Istituto d'Istruzione La Rosa Bianca - Weisse Rose" - Via Gandhi, 1 - in Cavalese.

The Main Race Office and the Team Captains' Meeting Room will be in Cavalese, near the Accreditation Centre.

During the training and competitions, sub race offices will be open at the respective venues.

FEDERAZIONE NAZIONALE/ NATIONAL SKI ASSOCIATION

INDIRIZZO/ ADDRESS

TELEFONO/ TELEPHONE

FAX

E-MAIL

INFORMAZIONI SULL'ARRIVO/ INFORMATION ABOUT ARRIVAL

**DATA E ORA D'ARRIVO/ DATE AND TIME
OF ARRIVAL**

NUMERO DI VOLO/ FLIGHT NUMBER

ARRIVAL AIRPORT

**NUMERO DI PERSONE/ NUMBER OF
PERSONS**

**NUMERO DI BAGAGLI/ NUMBER OF
LUGGAGES**

**PERSONA INCARICATA/ CONTACT
PERSON**

NUMERO DI CELLULARE/ MOBILE

INFORMAZIONI SULLA PARTENZA/ INFORMATION ABOUT DEPARTURE

**DATA E ORA DI PARTENZA/ DATE AND
TIME OF DEPARTURE**

NUMERO DEL VOLO/ FLIGHT NUMBER

WE WANT TO RENT A MINIBUS FOR THE PERIOD

FROM:

To: