



KONICA MINOLTA



PUIJO SKI GAMES

INVITATION



INVITATION

We cordially invite all member associations of the FIS to participate in the
FIS SKI JUMPING WORLD CUP KUOPIO – PUIJO SKI GAMES on March 12th 2013 in Kuopio Finland

PROGRAMME

Sunday 10.3.2013

Team arrival from Lahti to Kuopio

Monday 11.3.2013

14.00 Team Captains' meeting at hotel Savonia
17.00 Training, 2 rounds HS 127
19.00 Qualification HS 127
21.30 The Reception of the City of Kuopio, Puijo Tower

Tuesday 12.3.2013

17.00 Trial round HS 127
17.45 Opening Ceremony
19.00 Viessmann Ski Jumping World Cup HS 127, 2 rounds
Prize giving ceremony and fireworks

ENTRY

The entries and accommodation reservations must be done by FIS online Entry System on www.fis-ski.com.
Deadline for preliminary entries 31st of January 2013.
Deadline for final numbers and transportation 3rd of March 2013.

Late entries can unfortunately not be able guarantee all services according to Rules.

RADIO LICENSE APPLICATION

Ski Jumping teams can apply for radio license to FIS World Cup events in Lahti and in Kuopio with the same application. Deadline for the radio license application only for Kuopio World Cup event is 25th March 2013 and **has to be sent to FICORA** (Finnish Communications Regulatory Authority) **directly** :
radiotaajuudet@ficora.fi or fax +358 9 6966 410.

For more information on policies and needed forms in Finland www.ficora.fi

TRANSPORTATION

The Organizing Committee will arrange transportation between Kuopio airport and hotels and shuttle bus service from hotels to service and team areas. Teams must send arrival and departure times and flight numbers via FIS Online Entry system.

Charter bus service will be organized for the teams **from Lahti to Kuopio** on 10th March after the event in Lahti. Skis and other equipment are transported to Kuopio in separate transportation during the Sunday evening. Price for charter is 30 euros/person. The expenses must be paid during the transportation from Lahti to Kuopio in cash. More information provided in Team info booklets in Lahti and Team Captains' meeting in Lahti on Friday 8th March.

Updated Team information www.puijonkisat.fi/event-team-info



Charter flight to FIS WC Trondheim NOR

Organizing Committees of Kuopio and Trondheim will arrange a Charter flight from Kuopio to Trondheim. Flight leaves from Kuopio on Wednesday 13rd March 11:00(LOC). Price for flight from Kuopio to Trondheim is 340 €/person. All Ski Jumping teams will receive more information and a questionnaire if interested of this Charter flight service at the WC Trondheim invitation.

TECHNICAL DELEGATES AND JUMPING JUDGES

Technical Delegate	Geir S. Loeng NOR
TD Assistant	Nikolay Petrov RUS
Chief of Competition	Eero Kuusinen FIN
Judges	Petra Nordman FIN
	Christian Kathol AUT
	Sepp Kiesel GER
	Frode Aas Dag NOR
	Vadim Lisovsky RUS

RESTRICTIONS

FIS rules will apply. The number of participants must comply with World Cup rules and regulations.

LIABILITY

Each competitor must be insured by his/her own association. The OC have coverage for their own third party liability only.

EXPENSES

Financial conditions according to the FIS World Cup regulations. For electronic payments IBAN and BIC-codes are needed.

INFORMATION

Puijo Ski Games & Puijo Ski Club
www.puijonkisat.fi/event-team-info
Fax. +358-17- 261 8931
E-mail: puijonkisat@gmail.com

Event Director

Jarkko Ruhanen
mob. +358-400-152712
E-mail: jarkko.ruhanen@puijonkisat.fi

Welcome to Kuopio - See you all soon!

Puijo Ski Games
Organizing Committee



Puijo Ski Club



Finnish Ski Association



City of Kuopio



No. 63 / FIN 3 1. Verlängerung

**CERTIFICATE OF JUMPING HILL
CERTIFICAT DE CONFORMITE
SCHANZENPROFILBESTÄTIGUNG**

Date of issue 22.10.2011
Établi le
Ausgestellt am

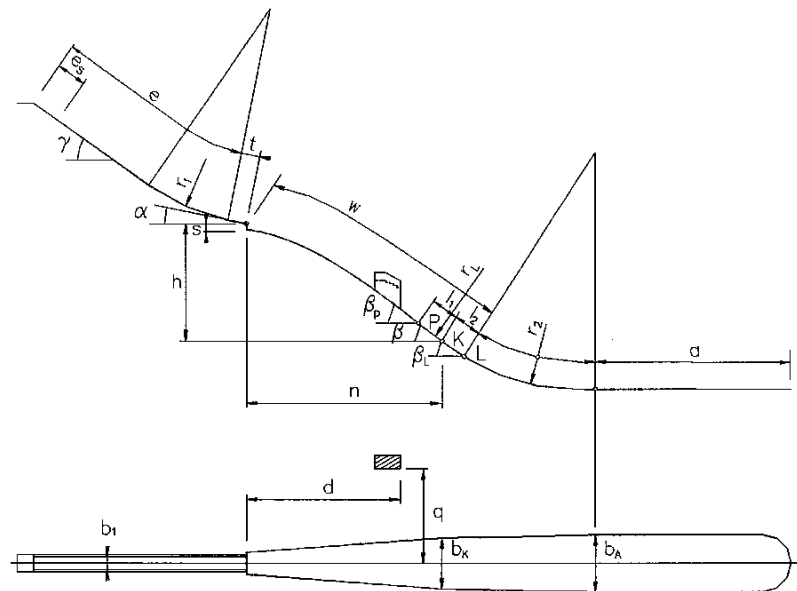
Valid till 31.12.2016
Valable jusqu' au
Gültig bis

Place: Kuopio

Name: Puijo K 92

HS = 100 m h/n 0.542

Vo = 24.5m/s



$e = 83.60$ m
 $e_s = 20.3$ m
 $t = 6.3$ m
 $\gamma = 35^\circ$
 $\alpha = 11.0^\circ$
 $r_1 = 89.5$
 $h = 43.46$ m
 $n = 80.17$ m
 $s = 3.6$ m

$l_1 = 20$ m
 $l_2 =$ m
 $a = 77.5$ m
 $\beta_p = 37.5^\circ$
 $\beta = 38^\circ$
 $\beta_L = 32.5^\circ$
 $r_L =$ m
 $r_2 = 100$ m

$P = 70$ m
 $K = 92$ m
 $L =$ m
 $b_1 = 2.52$ m
 $b_k = 17.1$ m
 $b_A = 18.7$ m
 $d = 51.3$ m
 $q = 22.5$ m

JUMPING HILL APPROVED BY THE FIS
TREMPLEIN HOMOLOGUE PAR LA FIS
DURCH DIE FIS GENEHMIGTE SPRUNGSCHANZE

SUB-COMMITTEE FOR JUMPING HILLS

CHAIRMAN:

