

INVITATION

FIS SKI JUMPING WORLD CUP

ZAKOPANE 17th-19th January 2014



Dear Ski Friends,
Below you will find an invitation to the FIS World Cup events that will be held in Zakopane, Poland on January 17th-19th
We hope to provide you with all the necessary information on the event.
Should you have any further question do not hesitate to get back to us.



FIS Presenting Sponsor



FIS Central Sponsor



FIS Data Sponsor



VENUE

The Ski Jumping competitions will take place on the WIELKA KROKIEW HS-134 Jumping Hill.



FIS Presenting Sponsor



FIS Central Sponsor



FIS Data Sponsor





FÉDÉRATION INTERNATIONALE DE SKI
INTERNATIONAL SKI FEDERATION
INTERNATIONALER SKI - VERBAND



No. 105 / POL 1 2.Verlängerung

CERTIFICATE OF JUMPING HILL
CERTIFICAT DE CONFORMITE
SCHANZENPROFILBESTÄTIGUNG

Date of issue 12.12.2011
Établi le
Ausgestellt am

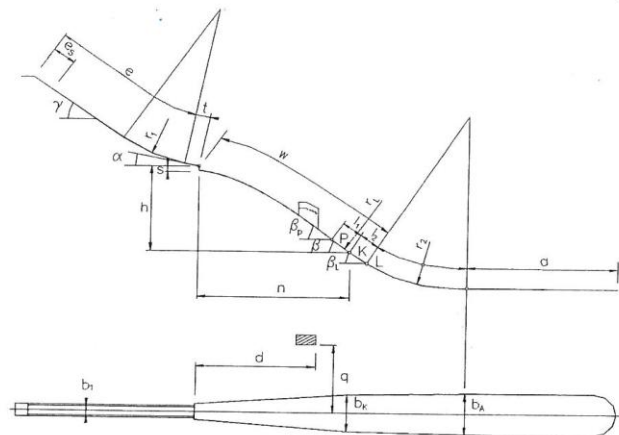
Valid till 31.12.2016
Valable jusqu' au
Gültig bis

Place: Zakopane

Name: Wielka Krokiew

HS = 134 m h/n 0.585

Vo = 25.5m/s



e = 91 m	$l_1 = 11$ m	P = 109 m
$e_s = 16$ m	$l_2 = 13.90$ m	K = 120 m
t = 6.5 m	a = 107 m	L = 133.90 m
$\gamma = 35^\circ$	$\beta_p = 37.5^\circ$	$b_1 = 2.5$ m
$\alpha = 10.5^\circ$	$\beta = 35.5^\circ$	$b_K = 24$ m
$r_1 = 100$ m	$\beta_L = 33^\circ$	$b_A = 26.4$ m
h = 60.29 m	$r_L = 316$ m	d = 84 m
n = 103.06 m	$r_2 = 133.5$ m	q = 35 m
s = 3.0 m		

JUMPING HILL APPROVED BY THE FIS
TREMPLIN HOMOLOGUE PAR LA FIS
DURCH DIE FIS GENEHMIGTE SPRUNGSCHANZE

SUB-COMMITTEE FOR JUMPING HILLS

CHAIRMAN:

Organising Committee and Race Office

Tatrzański Związek Narciarski **TATRA SKI FEDERATION**

ul. Bronisława Czecha 1B
34-500 Zakopane, Poland

Phone: +48 18 20 153 08

Fax: +48 18 20 125 88

Email: office@tzn.com.pl

Website: www.tzn.com.pl; www.worldcup-zakopane.pl



Meeting room, accommodation and accreditation

„Internat **COS Zakopane**”

ul. Bronisława Czecha 1
34-500 Zakopane, Poland

FIS Presenting Sponsor



FIS Central Sponsor



FIS Data Sponsor



PROGRAM

17.01.2014 - FRIDAY

- 11:00 Teams' arrival
- 12:00 Team captains' meeting
- 14:00 Official training HS-134 (2 rounds)
- 16:00 Qualification round

18.01.2014 - SATURDAY

- 16:15 Trial round
- 17:15 Team Ski Jumping World Cup Competition

19.01.2014 - SUNDAY

- 13:00 Trial round
- 14:00 Ski Jumping World Cup Competition



Organising Committee

President	<i>Andrzej Kozak</i>
OC Executive Director	<i>Jan Kowal</i>
Secretary	<i>Marta Chrapko</i>
Treasurer	<i>Helena Szufnara</i>
Chief of Technical Facilities	<i>Andrzej Stryczek</i>
Chief Stewart	<i>Andrzej Łęcki</i>
Chief of Accommodation	<i>Ewa Kremer</i>



Competition Management

Chief of Competition	<i>Renata Nadarkiewicz</i>
Race Secretary	<i>Bożena Zagata</i>
Chief of accreditation	<i>Marek Kowalczyk</i>
Chief of hill	<i>Andrzej Stryczek</i>

FIS Presenting Sponsor



FIS Central Sponsor



FIS Data Sponsor



FIS OFFICIALS

FIS Race Director
FIS RD Assistant

Walter Hofer
Miran Tepes

FIS
FIS



TD
TD-Assistant

Franck Salvi
Heinz Kuttin

FRA
AUT



Jumping Judges

Andrzej Galica
Jaroslav Tucek
Petra Nordman
Frode Aas Dag
Borut Markosek

POL
CZE
FIN
NOR
SLO

Equipment Control
Press and Media Coordinator

Sepp Gratzner
Horst Nielgen

FIS
FIS

ACCOMMODATION

The FIS Ski Jumping World Cup Zakopane 2014 Organizing Committee takes care of the full board accommodation for the athletes and officials. The bookings for national teams are organized by the OC according to the team quotas and sent entries.

All the bookings and accommodation request shall be sent directly to the LOC of Zakopane address.

The official WC hotel is „Internat COS Zakopane” and „Hotel Hyrny”.

The price for the daily full board accommodation, for those over national quotas, is:

50 Euro per person FB

Cash and credit cards are accepted.

If there are any NSF who had made their own accommodation arrangements are obliged to inform the LOC about the fact not later than January 2nd

The LOC does not guarantee the availability of accommodation for requests and entries sent later than January, 2nd

TRANSFERS

There will be shuttle buses available for the time of WC 2014 provided on the teams' requests.

All team cars will get special parking labels to park in the reserved areas.



DEADLINES

The Organizing Committee kindly asks the National Federations to send a notification with the **number** of participants (athletes, coaches and technical people) in the World Cup Zakopane 2014, **to 27th of December 2013**.

Entries by FIS online system only at www.fis.ski.com

Accreditation requests only by NSF by January, 2nd
FIS Family tickets will be granted according to new FIS rules.

ARRIVALS

By plane : Warszawa (450 km)
 Katowice (180 km)
 Kraków (110 km)

By train : Zakopane

By car : PL / SVK boarder
 west Sucha Hora- Chochołów 20km
 east Łysa Polana 20 km

All the airport pick-ups will be provided by the LOC at their expense, provided that they are requested for in advance.

SKI WAXING and SERVICE AREA

There will be limited ski-waxing rooms available at hotels.
 Ski wax cabins will be located at the Wielka Krokiew HS-134 hill.

DOPING CONTROL

According to FIS standards and rules.



FIS LICENCE

To be eligible for participation in the FIS WC the all the athletes must have a valid FIS Code.

INSURANCE

All athletes need the insurance arranged by their National Ski Associations.

The Organizing Committee is not responsible for any injuries of the athletes neither for the damage or lost property.



LANGUAGE

The official language is English.

PRESS CENTER

The main Press Center and Sub-office will be located at the Hill Area.

ADDITIONAL PROGRAMME

Ceremonies according to official programe and FIS guidelines.

VISA INFORMATION

This invitation should be enough to get visas. In case you will need assistance with getting these, do not hesitate to contact us.

FIS Presenting Sponsor



FIS Central Sponsor



FIS Data Sponsor



Preliminary entries are mandatory to register your team for a World Cup competition.

The preliminary entry deadline is set 40 days before the first competition day for each World Cup.

Preliminary entries are used to inform the organiser about:

the number of athletes and staff members

- **your accommodation requests (number of single, double rooms, special requests)**
- **your arrival and departure dates**
- **your transportation requests**
- **booking of additional services**
- **all other special requests**

Entries by names are mandatory to register your athletes and staff for World Cup competitions.

- The NSA can then adjust the final entries and the rooming needs up to 8 days before the first competition day (incl. officials and service personnel according to art. 6.1 and 6.2.1).
- Any changes, after 8 days before the competition day, the organizer may invoice the costs incurred for the cancelled accommodation to the National Ski Association concerned.

Late Entry

- Teams or persons who register late may have no right for the reservation at the FIS rate (art. 6.2.1)

FIS Presenting Sponsor



FIS Central Sponsor



FIS Data Sponsor

