



PUIJO SKI GAMES

INVITATION



INVITATION

We cordially invite all member associations of the FIS to participate in the **FIS SKI JUMPING WORLD CUP KUOPIO – PUUJO SKI GAMES** on March 10th 2015 in Kuopio Finland

PROGRAMME

Sunday 8.3.2015

Team arrival from Lahti to Kuopio

Monday 9.3.2015

13.00 Team Captains' meeting at hotel Savonia
14.00 TV-coordination meeting at hotel Savonia
16.00 Training, 2 rounds HS 127
18.00 Qualification HS 127
20.30 Bib draw and Ceremonies at Kuopio City theatre

Tuesday 10.3.2015

17.00 Trial round HS 127
18.00 Opening Ceremony
18.15 Viessmann Ski Jumping World Cup HS 127, 2 rounds
Prize giving ceremony and fireworks

Wednesday 11.3.2015

Travel day to Trondheim – departure from the Kuopio Airport at 11.20 (LOC)

ENTRY

The entries and accommodation reservations must be done by FIS online Entry System on www.fis-ski.com.

Deadline for preliminary entries 7th of February 2015.

Deadline for final numbers and transportation 28th of February 2015.

Late entries can unfortunately not be able guarantee all services according to Rules.

RADIO LICENSE APPLICATION

Ski Jumping teams can apply for radio license to FIS World Cup events in Lahti and in Kuopio with the same application. Deadline for the radio license application only for Kuopio World Cup event is 18th March 2014 and **has to be sent to FICORA** (Finnish Communications Regulatory Authority) **directly** :
radiotaajuudet@ficora.fi or fax +358 9 6966 410.

For more information on policies and needed forms in Finland www.ficora.fi

TRANSPORTATION

The Organizing Committee will arrange transportation between Kuopio airport and hotels and shuttle bus service from hotels to service and team areas. Teams must send arrival and departure times and flight numbers via FIS Online Entry system.

Charter bus service will be organized for the teams **from Lahti to Kuopio** on 8th March after the event in Lahti. Skis and other equipment are transported to Kuopio in separate transportation during the Sunday evening. Price for charter is 30 euros/person. The expenses must be paid during the transportation from Lahti to Kuopio in cash.



Charter flight to FIS WC Trondheim NOR

Organizing Committees of Kuopio and Trondheim will arrange a Charter flight from Kuopio to Trondheim. Flight leaves from Kuopio on Wednesday 11th March 11:20 (LOC). Price for flight from Kuopio to Trondheim is to be defined later by Trondheim OC. Detailed info about the departure times from hotels (Savonia, Puijonsarvi) will be provided by the attaches at the hotels.

TECHNICAL DELEGATES AND JUMPING JUDGES

Technical Delegate	Zarucci Fredi SUI
TD Assistant	Sambugaro Sandro ITA
Chief of Competition	Janne Karjalainen FIN

Judges	Nyman Tom FIN
	Sebergesen Nicolai NOR
	Vassilyev Pavel KAZ
	Ahacic Bostjan SLO
	Sydow Stephen USA

RESTRICTIONS

FIS rules will apply. The number of participants must comply with World Cup rules and regulations.

LIABILITY

Each competitor must be insured by his/her own association. The OC have coverage for their own third party liability only.

EXPENSES

Financial conditions according to the FIS World Cup regulations. For electronic payments IBAN and BIC-codes are needed. Travel moneys etc. will be taken care at Lahti Ski Games Financial office.

Lahti Ski Games Financial Office is open on Friday 6/3 from 10:00 - 18:00 at Grandstand Building of XC Stadium (3rd floor)

ACCREDITATION

Accreditation office is located at hotel Savonia (Sammakkolammentie 2, 70200 Kuopio)

Opening hours:

Monday 9.3. 09.00 – 19.00

Tuesday 10.3. 09.00 – 17.00

MEDIA CENTRE

Media Centre is located at the Ski stadium building (Hiihto Stadion) at the venue.

Opening hours:

Monday 9.3. 14.00 – 19.00

Tuesday 10.3. 13.00 – 20.00

SERVICE AND ATHLETE AREA

Service and athlete area is located down on the hill, near the ski lift building. Food and drinks for teams is served at ski lift building.

INFORMATION

Puijo Ski Games & Puijo Ski Club

www.puijonkisat.fi/event-team-info



ORGANIZING COMMITTEE:

Event Director

Jarkko Ruhanen

mob. +358-400-152712

E-mail: jarkko.ruhanen@puijonkisat.fi

Chairman

Raimo Tamminen

mob. +358-400-177916

E-mail: hill@puijonhihtoseura.fi

Secretary General

Chief of Ceremony

Jukka Salmi

mob. +358-40-7776563

E-mail: jukka.a.salmi@outlook.com

Chief of accreditation

Kirsi Hänninen

mob. +358-500-282505

E-mail: kirsi.hanninen@phnet.fi

Chief of transportation and attaches

Sari Holopainen

mob. +358-44-3078850

E-mail: sariholopainen@hotmail.com

Chief of media and press

Chief of mixed zone

Soili Hirvonen

mob. +358-400-837583

E-mail: soili.hirvonen@source.fi

Welcome to Kuopio - See you all soon!

Puijo Ski Games
Organizing Committee



Puijo Ski Club

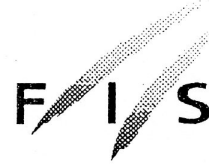


Finnish Ski Association



City of Kuopio





No. 331 / FIN 26 3. Verlängerung

CERTIFICATE OF JUMPING HILL
CERTIFICAT DE CONFORMITE
SCHANZENPROFILBESTÄTIGUNG

Date of issue 22.10.2011
Établi le
Ausgestellt am

Valid till 31.12.2016
Valable jusq' au
Gültig bis

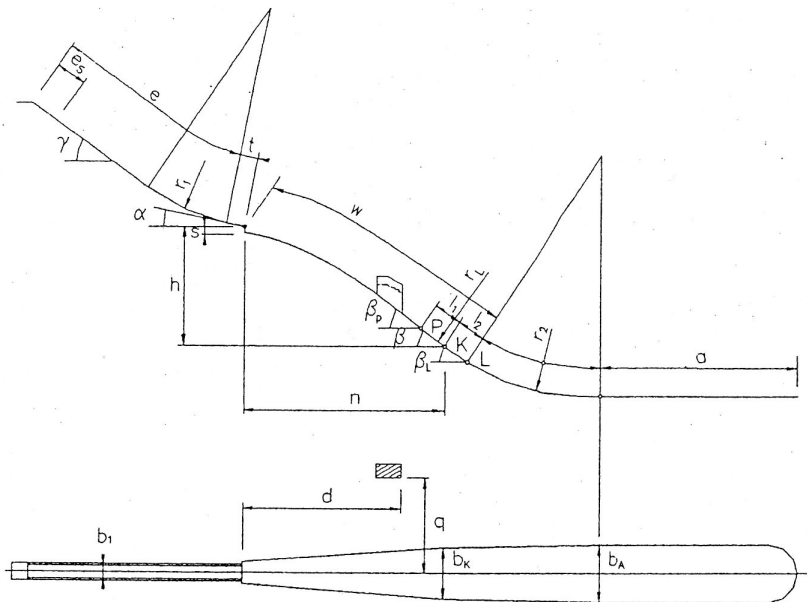
Place: Kuopio

Name: Puijo K120

HS = 127m

h/n 0.575

Vo = 26,5 m/s



$e = 92$ m
 $e_s = 24.84$ m
 $t = 6.6$ m
 $\gamma = 35^\circ$
 $\alpha = 10.9^\circ$
 $r_1 = 94.8$
 $h = 59.51$ m
 $n = 103.51$ m
 $s = 3.0$ m

$l_1 = 14.83$ m
 $l_2 = 6.95$ m
 $a = 94$ m
 $\beta_p = 37.75^\circ$
 $\beta = 35.2^\circ$
 $\beta_L = 33.7^\circ$
 $r_L = 283.26$ m
 $r_2 = 94.80$ m

$P = 105$ m
 $K = 120$ m
 $L = 127$ m
 $b_1 = 3.0$ m
 $b_K = 23$ m
 $b_A = 23.45$ m
 $d = 63$ m
 $q = 42.05$ m

JUMPING HILL APPROVED BY THE FIS
TREMPLEIN HOMOLOGUE PAR LA FIS
DURCH DIE FIS GENEHMIGTE SPRUNGSCHANZE

SUB-COMMITTEE FOR JUMPING HILLS

CHAIRMAN:

Dear all

The OC's in Trondheim and Kuopio will also this year arrange a charter flight from Kuopio to Trondheim. Because of the short period of time between the events in Kuopio and Trondheim, the OC's have in cooperation made reservation for a charter flight for the Teams and FIS officials.

Departure from Kuopio Airport will be Wednesday 11th of March at 11.20 AM local time and will arrive at Trondheim Airport Vaernes at 11.40 AM local time.

Price:

The price will be EUR 405,- per person. Payment will be as last year, by invoice after the competition in Trondheim.

Capacity:

The flight has 148 seats. To make sure that we are within the weight limits, we have set a maximum of 130 persons. Then each passenger can bring luggage with maximum 40 kilos plus 8 kilos hand baggage. We have in total room for 70 pairs of skis

We will also arrange a truck for skis and luggage that will depart from the venue in Kuopio shortly after the competition. We ask that as much luggage as possible will be sent with this truck. In this way we will avoid the trouble we had last season where some of the luggage did not arrive with the charter.

Please fill in to the form how much luggage space you need because of the limited space in the aircraft. We hope if necessary that also the teams with service cars can be helpful for transporting equipment.

Booking:

Please fill in the form and send it by email to wctrondheim@wctrondheim.org no later than **10th of February**. FIS officials and the athletes will have 1st priority.

We need at least 80 persons to go through with the Charter. If there's not enough passengers on the flight, we reserve the right to cancel the flight due too financial reasons