



ZAKOPANE

22-24.01.2016



INVITATION

TEAM INFO

FIS Presenting Sponsor



FIS Central Sponsor



Event Sponsor



Event Sponsor



FIS Data Sponsor



www.fis-ski.com

<http://www.worldcup-zakopane.pl>



ZAKOPANE

22-24.01.2016



FIS SKI JUMPING WORLD CUP ZAKOPANE 22nd-24th January 2016



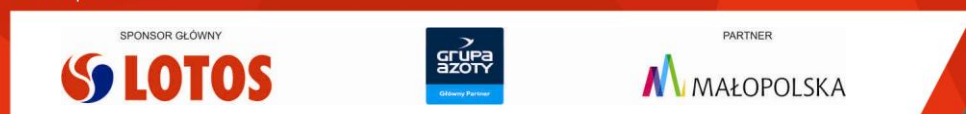
Dear Ski Friends,
Below you will find an invitation to the FIS World Cup competitions that will be held in Zakopane, Poland on 23rd and 24th January 2016.
We hope to provide you with all the necessary information on the event.
Should you have any further questions do not hesitate to get back to us.



FIS Presenting Sponsor



Event Sponsor



FIS Central Sponsor



Event Sponsor



FIS Data Sponsor



www.fis-ski.com

<http://www.worldcup-zakopane.pl>



ZAKOPANE

22-24.01.2016



VENUE

World Cup competitions will be held on the WIELKA KROKIEW HS-134 jumping hill in Zakopane.



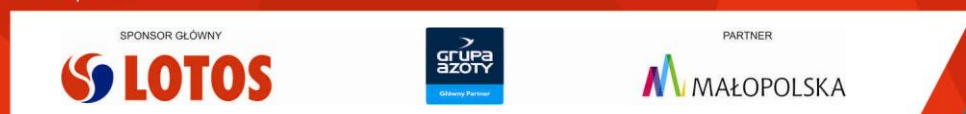
FIS Presenting Sponsor



FIS Central Sponsor



Event Sponsor



Event Sponsor



PARTNER



FIS Data Sponsor





FÉDÉRATION INTERNATIONALE DE SKI
INTERNATIONAL SKI FEDERATION
INTERNATIONALER SKI - VERBAND



No. 105 / POL 1 2.Verlängerung

CERTIFICATE OF JUMPING HILL CERTIFICAT DE CONFORMITE SCHANZENPROFILBESTÄTIGUNG

Date of issue 12.12.2011
Établi le
Ausgestellt am

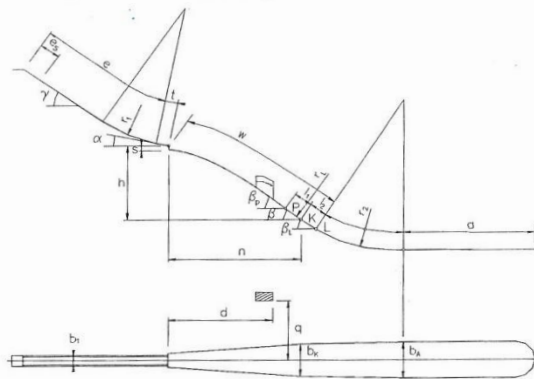
Valid till 31.12.2016
Valable jusqu'au
Gültig bis

Place: Zakopane

Name: Wielka Krokiew

HS = 134 m h/n 0.585

Vo = 25.5m/s



e = 91 m	$l_1 = 11$ m	P = 109 m
$e_s = 16$ m	$l_2 = 13.90$ m	K = 120 m
t = 6.5 m	a = 107 m	L = 133.90 m
$\gamma = 35^\circ$	$\beta_p = 37.5^\circ$	$b_1 = 2.5$ m
$\alpha = 10.5^\circ$	$\beta = 35.5^\circ$	$b_K = 24$ m
$r_1 = 100$ m	$\beta_L = 33^\circ$	$b_A = 26.4$ m
h = 60.29 m	$r_L = 316$ m	d = 84 m
n = 103.06 m	$r_2 = 133.5$ m	q = 35 m
s = 3.0 m		

JUMPING HILL APPROVED BY THE FIS
TREPLIN HOMOLOGUE PAR LA FIS
DURCH DIE FIS GENEHMIGTE SPRUNGSCHANZE

SUB-COMMITTEE FOR JUMPING HILLS

CHAIRMAN:

FIS Presenting Sponsor

Event Sponsor

SPONSOR GŁÓWNY

GRUPA AZOTY
Steady Partner

PARTNER

FIS Central Sponsor

Audi
Vorsprung durch Technik

Event Sponsor



FIS Data Sponsor



ZAKOPANE

22-24.01.2016



ORGANISING COMMITTEE

Tatrzański Związek Narciarski
ul. Br. Czecha 1, Zakopane, Poland
phone +48 18 201 153 08
e-mail: office@tzn.com.pl
www.worldcup-zakopane.pl



CONTACT PERSON

Aga Baczkowska
mobile +48 606 65 41 14
e-mail: a.baczkowska@tzn.com.pl

RACE OFFICE, ACCREDITATION OFFICE, TCM MEETING ROOM

HYRNY Hotel
Ul. Piłsudskiego 20, Zakopane

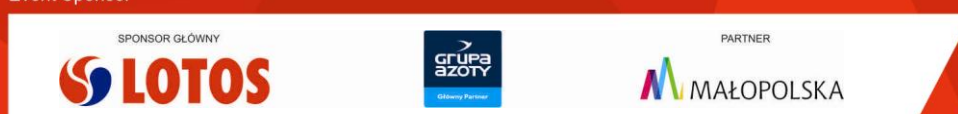
DEADLINES FOR ENTRIES

entries by FIS online system only at www.fis-ski.com / member section /
online races / entries / ski jumping / Zakopane POL competition login and
password – same as FOU System
preliminary entries – 40 days prior to 1st competition day
entries by name – 8 days prior to 1st competition day
accreditation requests only by NSF by January, 5th
FIS Family tickets will be granted according to FIS rules

FIS Presenting Sponsor



Event Sponsor



PARTNER



FIS Central Sponsor



Event Sponsor



FIS Data Sponsor



www.fis-ski.com

<http://www.worldcup-zakopane.pl>



ZAKOPANE

22-24.01.2016



PROGRAM PUCHARU ŚWIATA W SKOKACH NARCIARSKICH PROGRAMM WELTCUP IM SKISPRINGEN SKI JUMPING WORLD CUP PROGRAM ZAKOPANE, 22-24 JANUARY 2016



21.01.2016 CZWARTEK /DONNERSTAG/ THURSDAY

16:00 Przyjazd ekip / Anreise / Teams' arrival

22.01.2016 PIĄTEK /FREITAG/ FRIDAY

11:00 Odprawa Techniczna / Mannschaftsführersitzung / Team captains' meeting

16:00 Oficjalny trening HS-134 (2 serie) / Offizielles Training HS-134 (2 Durchgänge)
Official training HS-134 (2 rounds)

18:00 Seria kwalifikacyjna /Qualifikationsdurchgang /Qualification round

23.01.2016 SOBOTA /SAMSTAG/ SATURDAY

14:45 Seria próbna / Probedurchgang / Trial round

16:00 Drużynowy konkurs skoków Puchar Świata / Mannschaft Sprungwettkampf Weltcup
Team Ski Jumping World Cup Competition HS-134

24.01.2016 NIEDZIELA /SONNTAG/ SUNDAY

14:30 Seria próbna / Probedurchgang / Trial round

16:00 Konkurs skoków Puchar Świata HS-134 / Sprungwettkampf Weltcup HS-134
Ski Jumping World Cup Competition HS-134

25.01.2016 PONIEDZIAŁEK /MONTAG/ MONDAY

Odjazd ekip / Abreise der Teilnehmer / Departure of the teams

FIS Presenting Sponsor

VIESMANN

Event Sponsor

SPONSOR GŁÓWNY
LOTOS



PARTNER

MAŁOPOLSKA

FIS Central Sponsor

Audi
Vorsprung durch Technik

Event Sponsor

4F



FIS Data Sponsor

KONICA MINOLTA

www.fis-ski.com

<http://www.worldcup-zakopane.pl>



ZAKOPANE

22-24.01.2016



ORGANISING COMMITTEE

President
 Treasurer
 Chief of Press Office
 Chief of Race Office
 Chief of Technical Facilities
 Chief of stadium, TV Coordinator
 Chief Stewart
 Chief of Accreditation
 Chief of Accommodation
 and Transportation
 Chief of Distance Measurers
 Chief of Competition

Andrzej Kozak
 Helena Szufnara
 Sławomir Rykowski
 Marta Chrapko
 Andrzej Stryczek
 Marek Zagórski
 Andrzej Łęcki, Artur Patyk IMPEL
 Marek Kowalczyk

Ewa Kremer
 Andrzej Stachowski
 Jan Kowal



FIS OFFICIALS

FIS Race Director
 FIS Race Director Assistant
 FIS Equipment Control
 FIS Media Coordinator

Walter Hofer FIS
 Miran Tepes FIS
 Sepp Gratzler FIS
 Horst Nilgen FIS

TD
 TD Assistant

Geir Steinar Loeng NOR
 Thomas Hasslberger GER

Jumping Judges

Marit Nybelius SWE
 Werner Helleuer GER
 Hermann Gschwentner AUT
 Fabrice Piazzini SUI
 Andrzej Galica POL

FIS Presenting Sponsor



Event Sponsor



FIS Central Sponsor



Event Sponsor



FIS Data Sponsor





ZAKOPANE

22-24.01.2016



ACCOMMODATION

The FIS Ski Jumping World Cup Zakopane 2016 Organizing Committee takes care of the full board accommodation for the athletes and officials. The bookings for national teams are organized by the OC according to the team quotas and sent entries.

The official World Cup hotel is HYRNY, Piłsudskiego 20, Zakopane. The price for the daily full board accommodation, for those over national quotas, is 50 Euro per person FB.

Cash and credit cards are accepted.

If there are any NSF who had made their own accommodation arrangements they are obliged to inform the LOC about the fact not later than January, 5th. The LOC does not guarantee the availability of accommodation for requests and entries sent later than January, 5th.



ARRIVALS and TRANSFERS

By plane	Warszawa	(450 km)
	Katowice	(180 km)
	Kraków	(110 km)

By train Zakopane

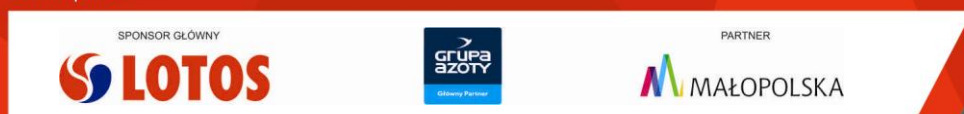
By car PL / SVK boarder
west Sucha Hora- Chochołów 20km
east Łysa Polana 20 km

All the airport pick-ups will be provided by the LOC provided that they are requested for in advance. All team cars will get special parking passes to park in the reserved areas.

FIS Presenting Sponsor



Event Sponsor



FIS Central Sponsor



Event Sponsor



FIS Data Sponsor





ZAKOPANE

22-24.01.2016



SKI WAXING and SERVICE AREA

There will be limited waxing space available at the hotel.
Ski waxing cabins will be located at the Wielka Krokiew Hill.

DOPING CONTROL

According to FIS standards and rules.

FIS LICENCE

To be eligible for participation in the FIS World Cup all the entered athletes must possess a valid FIS Code.

INSURANCE

All athletes need the insurance arranged by their National Ski Associations.
The Organizing Committee is not responsible for any injuries of the athletes neither for the damage or lost property.

LANGUAGE

The official language is English.

PRESS CENTER

The Press Center will be located at the Wielka Krokiew jumping hill in Zakopane.
Accreditation requests for journalists and media representatives can be sent to Chief of Press Office - Sławomir Rykowski, NIKO SPORT MEDIA, slawek@nikosportmedia.pl, mobile +48 500 121 908

ADDITIONAL PROGRAMME

Ceremonies according to official programme and FIS guidelines.

VISA INFORMATION

This invitation should be enough to get visas. In case you will need assistance with getting these, do not hesitate to contact us.

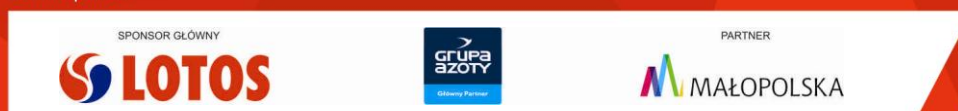
FIS Presenting Sponsor



FIS Central Sponsor



Event Sponsor



Event Sponsor



FIS Data Sponsor

