

FIS WORLD CUP ROLLERSKI 2016

MADONA, LATVIA 11-14TH AUGUST 2016



LATVIAN SKI ASSOCIATION IN COOPERATION WITH MADONA MUNICIPALITY AND SPORTS CLUB "A-MADONA" INVITES YOU TO 3RD STAGE OF **FIS WORLD CUP ROLLERSKI 2016 STAGE EVENT**.

COMPETITION PROGRAMME

THURSDAY, 11TH AUGUST

14:00-15:00	Unofficial training at 2,5km Smecersils course, <u>Classical technique only</u>
15:00-16:00	Unofficial training at 2.5km Smecersils course, <u>Free technique only</u>
18:00-19:00	Unofficial training for Sprint Madona city, Raiņa Street (right lane only can be used)
20:00	Team Captain meeting Smecersils recreation center main building

FRIDAY, 12TH AUGUST SPRINT (F) COMPETITION

09:30-10:30	Official training for prologue (C) JL & SL at 2.5km Smecersils
10:30-11:30	Official training for prologue (C) JM & SM at 2.5km Smecersils
15:00-15:50	Official Training for Sprint 200m course Madona city, Raiņa Street
15:50	Official opening ceremony Madona city, Raiņa Street
16:00	Sprint Qualification: JL, SL, JM, SM (interval 15 sec)
17:30	Sprint Quarterfinals (1-16 from qualification, 4 athletes in heat) JL, SL, JM, SM
18:00	Semi-finals: JL, SL, JM, SM
18:20	A finals: JL, SL, JM, SM
19:00	Prize giving Ceremony Madonas city convention square
20:00	Team Captains' Meeting Madonas city municipality headquarters (nearby prize giving spot)

SATURDAY, 13TH AUGUST PROLOGUE (C) (classic rollerskis supplied by OC)

09:30-10:30	Official training for Pursuit: JL, SL	2.5km Smecersils course
10:30-11:30	Official training for Pursuit: JM, SM	2.5km Smecersils course
14:30	Distribution of Classic rollerskis JL, SL, warming up for Prologue	2.5km Smecersils course
15:00	Prologue 5km C Junior Ladies, Senior Ladies (2x2,5 km)	
16:00	Distribution of Classic rollerskis JM, SM, warming up for Prologue	2.5km Smecersils course
16:30	Prologue 7.5km C Junior Men, Senior Men (3x2,5 km)	
19:00	Team Captain meeting	Smecersils recreation center main building

SUNDAY, 14TH AUGUST PURSUIT F (Own frames/rubber wheels by OC)

9:30-09:55	Distribution of Free technique rollerskis JL, SL, warming up for Pursuit
10:00	Pursuit 10 km F Junior Ladies, Senior Ladies (4x2,5 km)
10:30-10:55	Distribution of Free technique rollerskis JM, warming up for Pursuit
11:00	Pursuit 15 km F Junior Men (6x2,5 km)
11:40-12:10	Distribution of Free technique rollerskis SM, warming up for Pursuit F
12:10	Pursuit 15 km F Senior Men (6x2,5 km)
13:00	Official Prize giving ceremony Smecersils recreation center



COMPETITION JURY

FIS TD: Anna Rosa (ITA)

Chief of competition: Gunārs Ikaunieks (LAT)

National TD Assistant: Jānis Puida (LAT)

ORGANIZING COMMITTEE

Chief of organizing committee

Chief of competition:

Latvian Ski Association race director:

Competition secretary:

Chief of timekeeping:

Chief of course:

Chief of security:

Official speaker:

Chief of medical service:

Guntis Keveris

Gunārs Ikaunieks

Juris Pīpkalējs

Jānis Irbe

Uldis Brīze

Arnis Šmugais

Dimitrijs Kohanovs

Ivars Bācis

Māris Gailums

OC CONTACT INFO

Latvian Ski Association

Grostonas Str. 6B, Riga, LV-1013

Phone: +371 67387716, Fax: 67387717

email: info@infoski.lv, website: www.infoski.lv

TEAM ENTRIES

The final entry must be sent to the Organizing Committee **not later than JULY 28, 2016** on the official FIS-application form attached to info@infoski.lv. In-official entry form data each athlete must indicate type of ski bindings (SNS or NNN) she/he will use.

ACCOMODATION

Hotels in Madona: SGL 40 Eur with breakfast, 65 Eur full board, DBL 30 Eur with breakfast, 55 Eur full board.

Guest house EUR 25/pers with breakfast, EUR 50 Full board. **Youth hostel** 17 Eur with breakfast 35 Eur full board. For accommodation reservation please contact OC: smecere@madona.lv

PLEASE NOTE: For booked reservation not used, OC will ask cancellation fee to the resp. National Ski Association

TEAMS TRANSPORTATION

Teams arriving or leaving by plane will be offered **1 free of charge** transfer per team from **Riga (RIX) airport** to the venue and one from the venue to the airport. The arriving and departing times and number of persons have to be communicated to the organizer latest **1 August, 2016**. by email: smecere@madona.lv Any extra transportation can be arranged by OC for an additional charge.

COMPETITION VENUE

Race office and prologue/pursuit courses are located in sports and recreation center "Smeceressils". Venue home page: www.smeceressils.lv Competition venue map: <http://goo.gl/PYW8aT> Distance from Riga airport – 160km, Oteppa (EST) – 200km.



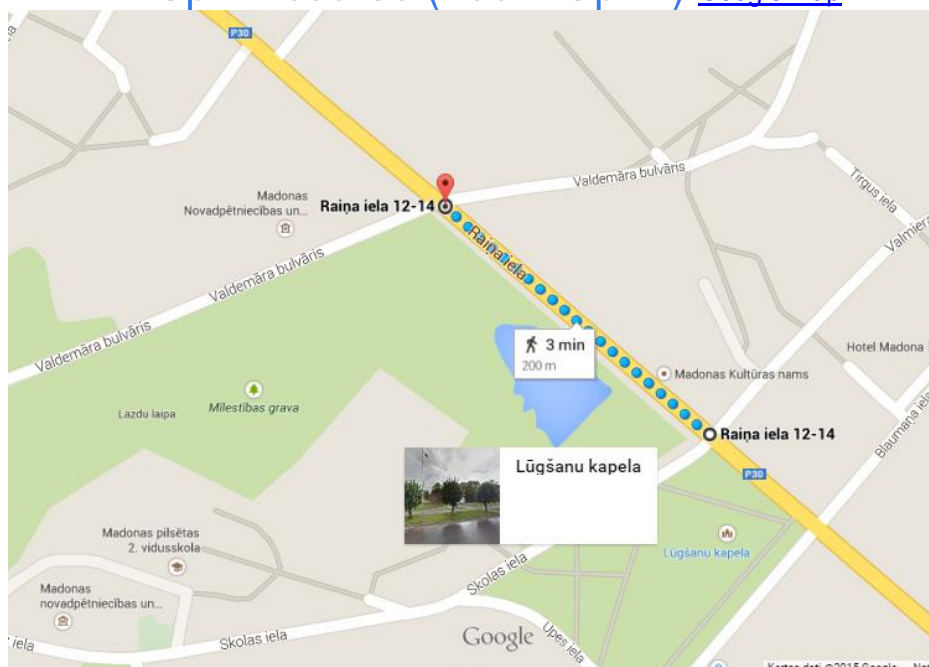
RACE OFFICE WORKING TIMES

Thursday, Friday, Saturday 9:30-20:00
Sunday: 8:30-14:00

MAIN COMPETITION RULES:

- FIS Rollerski World Cup and World Championships Rules 2015. Stage event rules (article 5.3.) apply. Only entry for the all competition in event is possible
- Guidelines for Rollerski Equipment Specification and Control
- FIS ICR Rollerski (art. 396 Edition 2016)
- Sprint Finals will be organized with top 16 from qualification and with 4 athletes in a heat.
- For Prologue competition OC will provide rollerskis and for Pursuit_OC will provide rubber wheels. Rollerski brand: Ski*go (Sweden). All rollerskis (and wheels on Sunday) will be marked. Draw of rollerskis (and wheels) will be done during TC meeting on Thursday, 11th august

Sprint course (200m Uphill) [Google map](#)



Sprint course (street view)

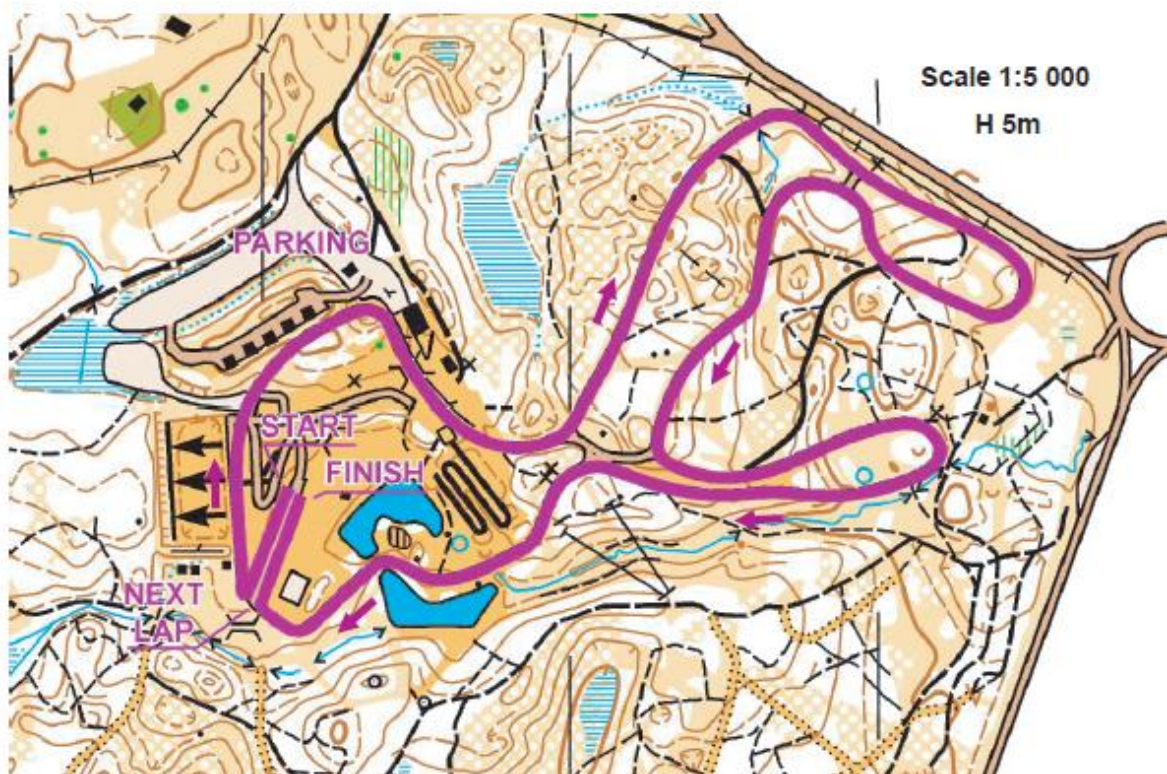


Prologue and Pursuit course

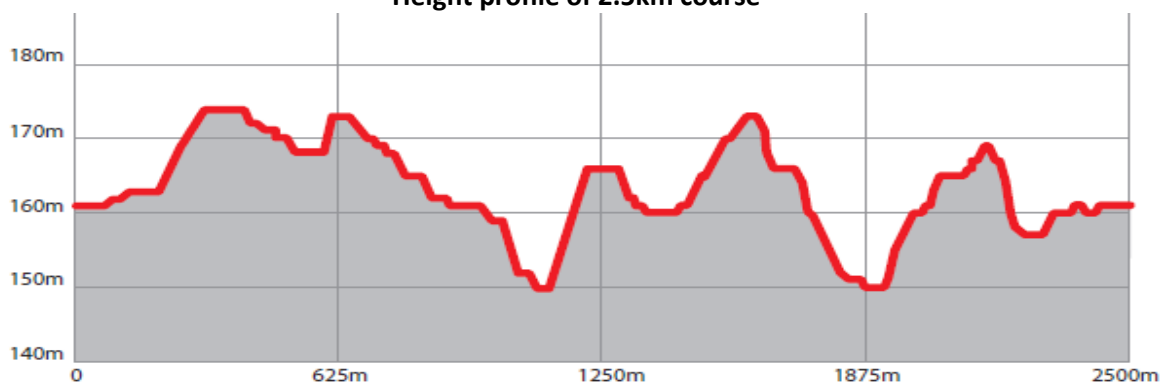
Name of organizer: Sport club "Madona"

Name of the course: Smecersils, Madona (LAT)

Competition distance: 2,5km



Height profile of 2.5km course



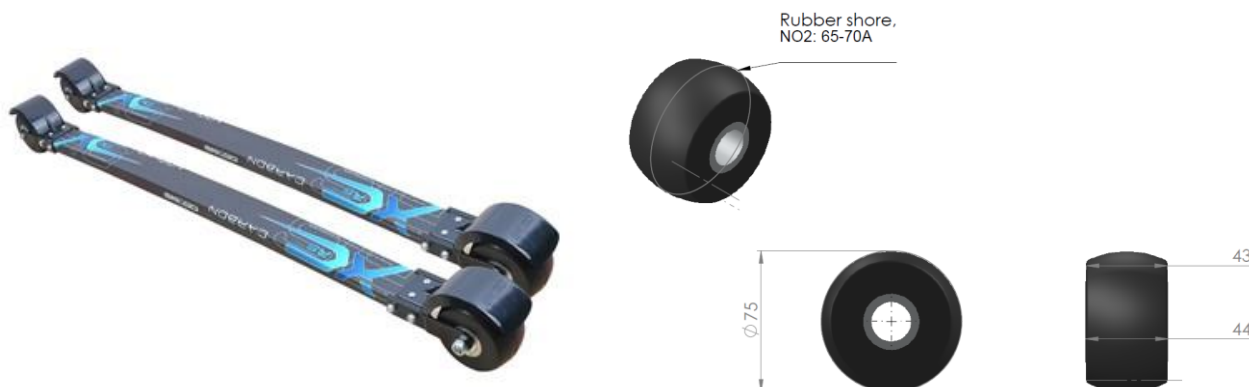
ADDITIONAL INFO:

- Live competition results will be available on live.infoski.lv
- PDF results, pictures and more info will be available at madona2016.infoski.lv
- Race office has free WI-FI internet access. There will be 2 standalone PC available for visitors

ROLLERSKI EQUIPMENT INFO:

Classic Rollerskis for prologue:

- Wheel material – rubber wheel Nr.2 with 65-70A (+/- 2). Frame material: carbon.
- [Classic rollerskis](#): length: 78cm, weight: 900g;



- Skating wheels for Pursuit: wheel material – rubber wheel Nr.2 with 65-70A (+/- 2).

