

From 7TH to 12TH december 2021

Measures & rules published by the organization
in collaboration with the FFS & FIS

Health Protocol COVID-19



Val Thorens



Audi FIS Ski Cross
World Cup 

THE HEALTH PROTOCOL

- This guide was created by the French Ski Federation (FFS) and the Local Organizing Committee (LOC) of Val Thorens and has been validated by the International Ski Federation (FIS), in compliance with the [FIS Covid-19 guide](#). This will be communicated to all participants in advance of the event.
- It is everyone's responsibility to follow the protocol put in place for the Ski Cross World Cup in Val Thorens. If this is not followed, the person concerned will not be able to stay on the event.
- The principles, to date :
 - **Interactions limitation** through sanitary bubbles
 - An airtight racing bubble with very strict protocols
 - Respect for physical distancing and barrier gestures in all areas
 - **Wearing a mask** is mandatory in all interior and exterior areas
 - **A policy of nasopharyngeal or antigenic RT-PCR virological tests** and a **health questionnaire** has been set up for the races, organization and press bubbles



THE SANITARY BUBBLES

In order to facilitate traffic flow and avoid any contact between the various people present, a system of accreditation and access zones by color has been set up.

Press Bubble

- Journalists
- Photographs

Intercations with
the race bubble
handle

Race Bubble

- Athletes
- Team staff
- FIS Staff
- Timing Staff

Interactions with the
others bubbles handle
and controlatod

Organization Bubble

- Medical Staff
- Slope Photographers
- Suppliers (TV, InFront, MBS,
Amadeus Events)
- Speaker
- Slope Volunteers

Intercations with the race
bubble handle

Slope Staff Bubble

- Slope Staff
- Ski Patrols

No interactions
with the race
bubble

TESTS POLICY

- Strict compliance with the Ministry of Health and the ARS rules
- To be accredited, you must to present :

RACE BUBBLE

- Valid European Sanitary Pass
- A nasopharyngeal or antigenic RT-PCR test has to be done less than 72h before the start of the competition
- Obligation to present the completed and signed FIS questionnaire
- **Please complete the FIS passport**
-> <https://fispassport.fis-ski.com/fis/>

RACE ORGANIZATION & PRESS BUBBLE

- Valid European Sanitary Pass
- Result of :
 - a nasopharyngeal RT-PCR or antigen test < 0, less than 72 hours before the start of the event.
 - Or an RT-PCR or antigen test >0, dated less than 6 months and more than 2 weeks
- Obligation to present the completed and signed FIS questionnaire

ORGANIZATION, SLOPE STAFF, VIP & PUBLIC BUBBLE

- Valid European Sanitary Pass

- During the race, you can contact the medical center of Val Thorens or the nurses for doing a RT-PCR (results in 24h) or antigen tests (results on 15min)
- **SANITARY PASS = Vaccines (Pfizer, Moderna, AstraZeneca, Vaxzevria, Covishield or Johnson & Johnson) or an RT-PCR or antigen test >0, dated less than 6 months and more than 2 weeks**
- After the race, Contact the coordinating doctor of Val Thorens for any occurrence of symptoms within 7 days of the Ski Cross World Cup

PREVENTION DEVICE

- Disinfection solutions in all key places
- The masks or approved buff obligatory (depending of national norm and/or signage in place)
- All working areas should be disinfected and cleaned (TCM Room, Team Area, VIP Space, Press Room, etc...)
- Distanciation requested
- Limited number of people per zone
- Reminders for athletes and spectators: main competition speaker, information, posters, team captains meeting, etc...
- LOC will be always in communication with the medical center of Val Thorens.
- The LOC recommends that you to download the « TousAntiCovid » application

SANITARY MEASURES

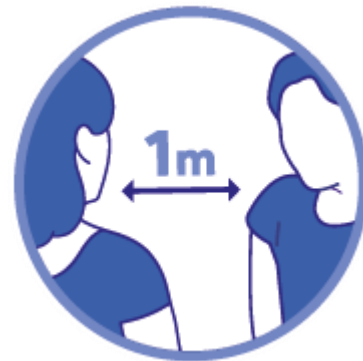
OBJECTIVE & BASIC PRINCIPLES

Preserve the health of the athletes and all those involved in the event as well as the continuity of the races.



PROTECTION

Mandatory mask wearing
Regular use of hydroalcoholic gel



DISTANCING

Respect for social distancing



SECURITY

No interaction with the public (autographs and selfies are strictly prohibited)

SANITARY MEASURES

OBJECTIVE & BASIC PRINCIPLES



SCREENING

Subscribe to the Covid-19 testing policy Presented above, and in conjunction with the Ministry of Health



CONFINEMENT

Respect your family and have no contact other than those planned and secure



TRANSPARENCY

Signaler tous les symptômes aux médecins et à l'organisation
Identifier les contacts à risque



VENTILATION

Ventilated spaces

SANITARY MEASURES

BREACH OF HEALTH PROTOCOL



SANITARY MEASURES

- ✓ Verification of the sanitary pass and the access contrôle according to the accreditation colors will be done at the entrance of the event.
- ✓ The spaces will be reorganized in order to limit the flow of people
- ✓ Limit the workforce within the spaces

Lift Access :

- ✓ Specific queue for the race bubble
- ✓ Respect for the national laws in place during the event : See the ski lifts' rules (SETAM)



SANITARY MEASURES

Podiums :

- ✓ Prize giving at the end of the races on the finish area
- ✓ Respect for physical distancing between the athletes themselves and between athletes and journalists
- ✓ A space will be reserved for photographers and journalists in front of the podium at a suitable distance
- ✓ No handshaking
- ✓ Athletes must stay on their podium

Media :

- ✓ Media will not be able to have direct access to athletes, competition areas or team zones.
Concerning the athletes' interviews, media should do it from the Mixed Zone (through the safety area)
- ✓ It is recommended that journalists invest in a 'selfie stick' or boom stick to get the recording device close enough to pick up the athlete's voice during mixed zone interviews.
- ✓ All microphones should have a plastic cover over the foam that is replaced after each interview. The microphone should stay only with the athlete and the journalist should not speak into it as well



SANITARY MEASURES BY ZONE

FLOW PLAN



Race bubble :

Athletes / Team staff /
FIS Staff / Timing staff

Organization bubble :

Medical staff / slope
Photographer /
Suppliers / Slope
volunteers

Slope staff bubble :

Slope staff / Ski Patrols

Press bubble :

Journalists /
Photographers

SANITARY MEASURES BY ZONE

START



Race Bubble

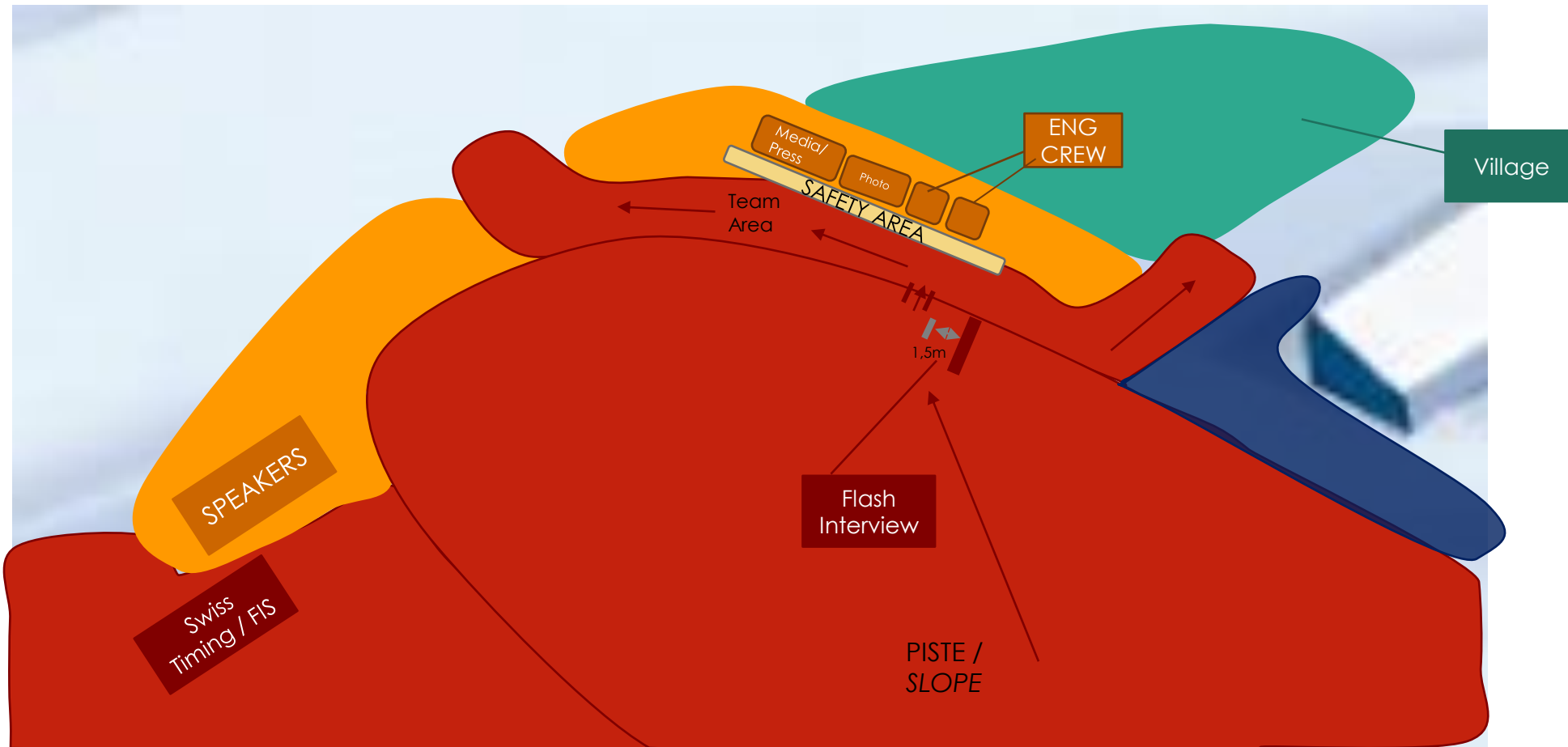
Organization Bubble

Slope Staff Bubble

Press Bubble

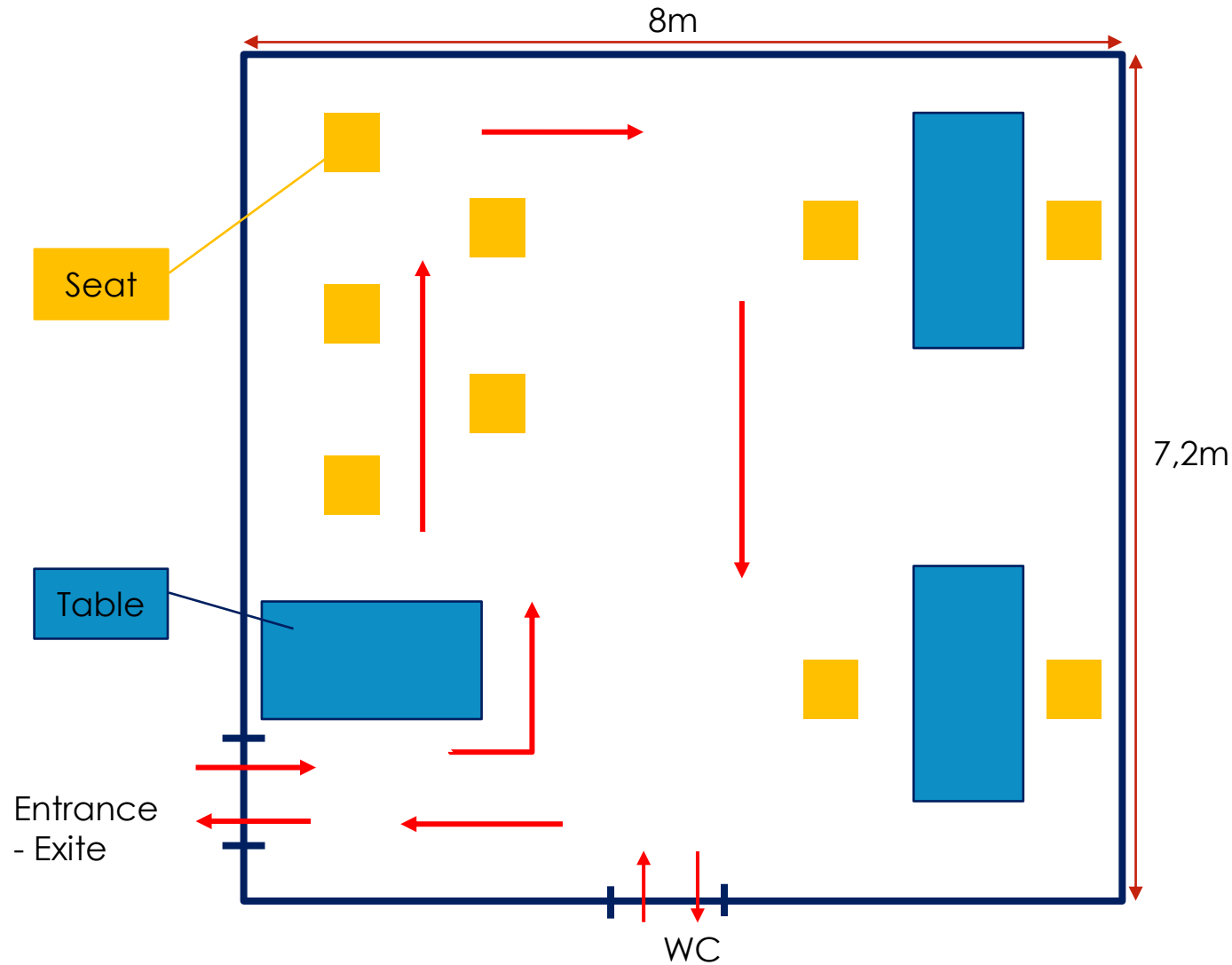
SANITARY MEASURES BY ZONE

FINISH



SANITARY MEASURES BY ZONE

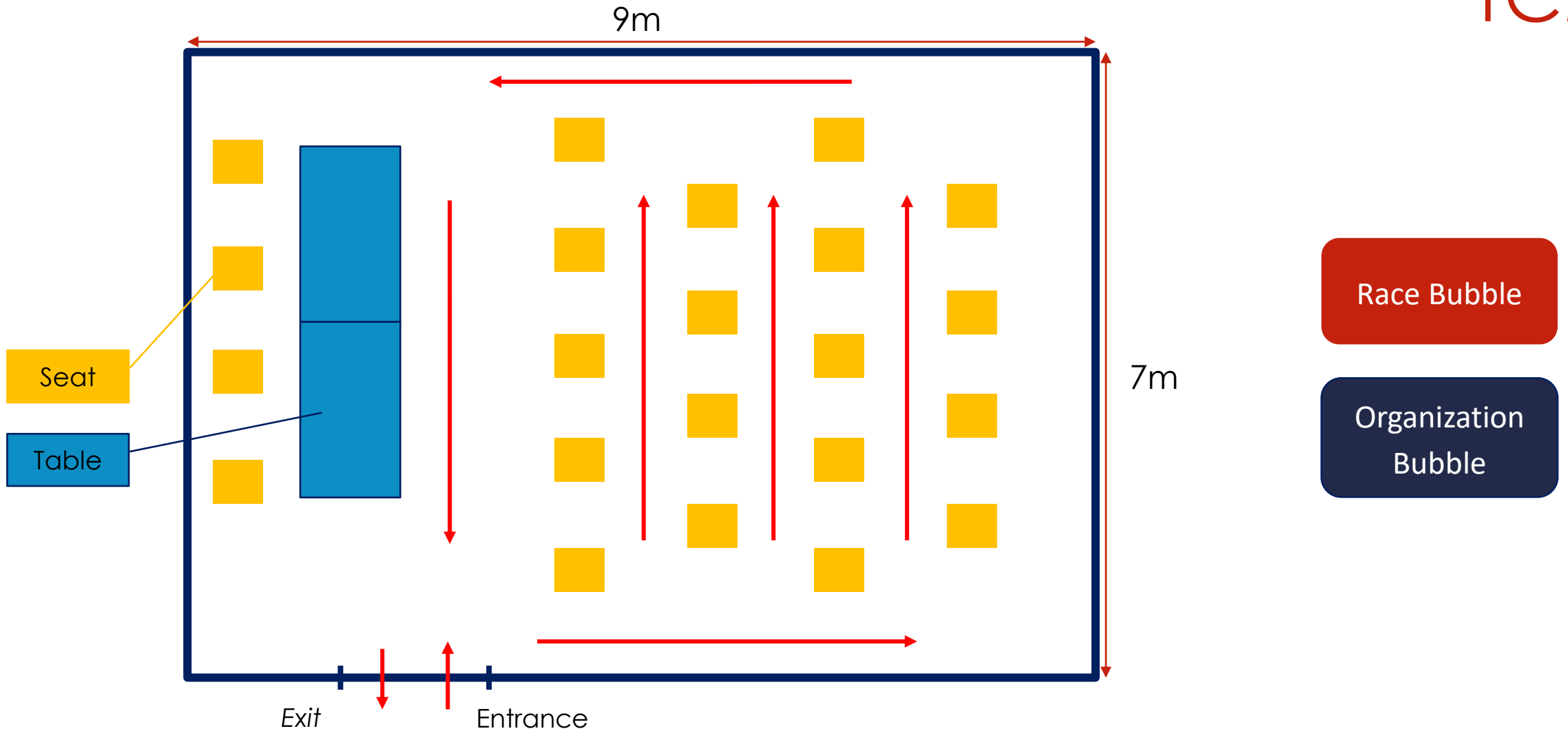
ANTI-DOPING



Race Bubble only

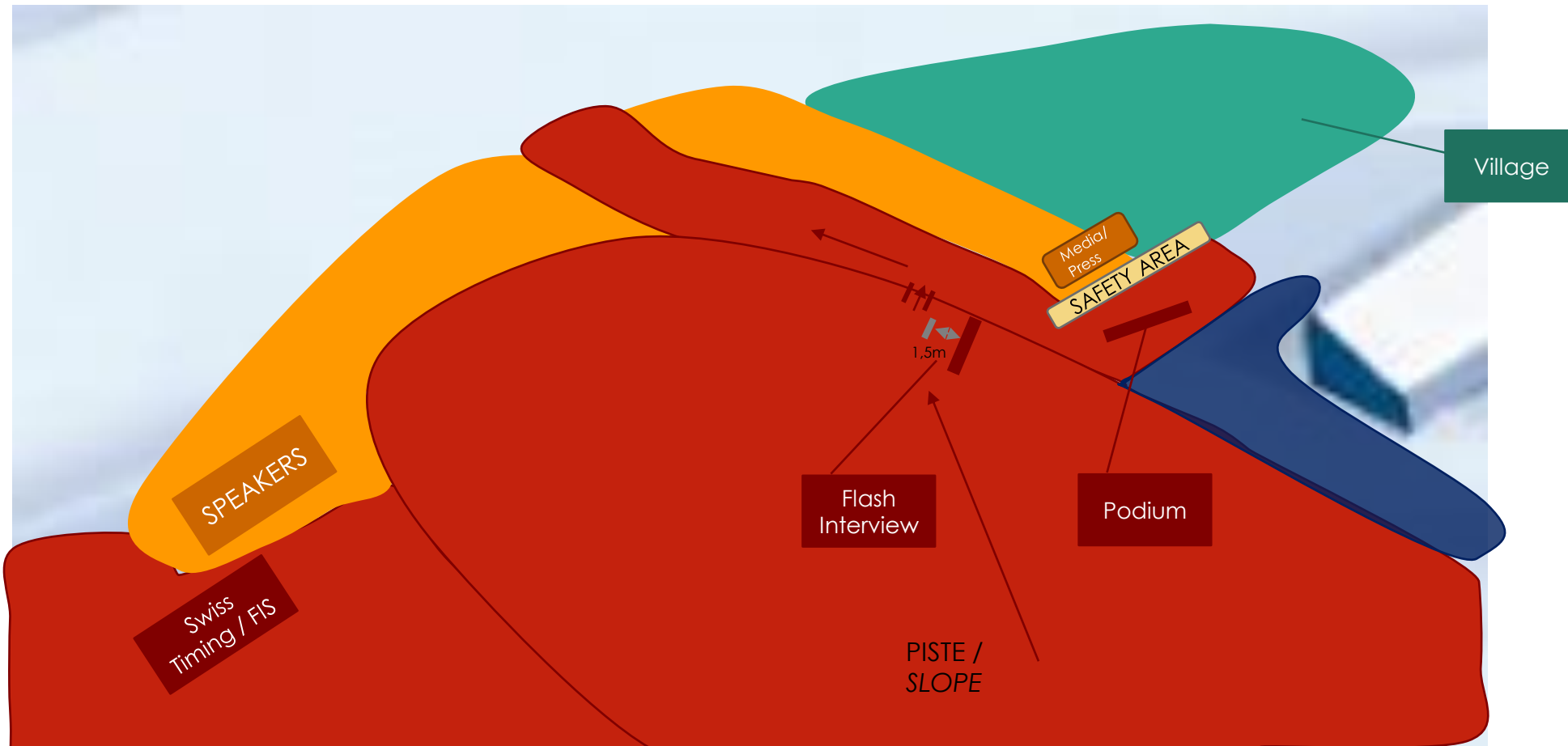
SANITARY MEASURES BY ZONE

TCM



SANITARY MEASURES BY ZONE

OFFICIAL AWARDS CEREMONIES





CONTACTS

Medical Center of Val Thorens :

Phone : +334 79 00 00 37

Adress : Place du Slalom – Val Thorens 73440 Les Belleville

All the days : 9am – 7pm

Belleville' Nurses Office :

Phone : +337 86 26 46 02

Mail : scminfirmieresdesbelleville@gmail.com

Adress : Home or Medical Center of Val Thorens - 73440 Les Belleville

SYNLAB Moûtiers Laboratory :

Phone : [04 79 24 22 68](tel:0479242268)

Adress : 8 Grande Rue, 73600 Moutiers

Monday to Friday : 8am – 12am / 2:30pm – 6pm

Saturday : 8am – 12am

Contact FIS COVID :

Email : c19support@fisski.com

Contact Local Covid Coordinator :

Thibault COMBRE & Marie-Aurore LAINEZ

Club des Sports de Val Thorens

Phone Thibault : +337.86.80.86.73

Phone Marie-Aurore : +337.49.42.90.39

sportsevent@valthorens.com

Contact Race Director FIS :

Klaus WALDNER

Phone : +43 650 305 3325