



AUDI FIS SKI WORLD CUP FINALS  
**ANDORRA 2023**  
SOLDEU • EL TARTER  
**X GRANDVALIRA**



AUDI FIS SKI WORLD CUP FINALS 2022/23



Grandvalira Soldeu - El Tarter (AND)



1st Mixed Team Parallel

FRI 17 MAR 2023

START LIST

Start Time 12:00

Number of Competitors: 1, Number of NSAs: 1

Team Number	Bib	FIS Code	Name	Gender	Year of Birth
1		512381	<b>SUI - Switzerland</b> Team Leader : TSCHUOR Beat		
	11	516283	ELLENBERGER Andrea	F	1993
	12	516753	GROB Stefanie	F	2004
	13	516562	RAST Camille	F	1999
	15	512274	BISSIG Semyel	M	1998
	16	512301	SIMONET Livio	M	1998
	17	511638	TUMLER Thomas	M	1989
2		54569	<b>AUT - Austria</b> Team Leader : SCHWARZACHER Paulus		
	21	56392	GRITSCH Franziska	F	1997
	22	56416	SCHEIB Julia	F	1998
	23	56315	TRUPPE Katharina	F	1996
	25	54359	FEURSTEIN Patrick	M	1996
	26	54444	GSTREIN Fabio	M	1997
	27	54348	PERTL Adrian	M	1996
3		422696	<b>NOR - Norway</b> Team Leader : MITTER Christian		
	31	426193	STJERNESUND Thea Louise	F	1996
	32	426043	TVIBERG Maria Therese	F	1994
	35	422507	HAUGAN Timon	M	1996
	36	422278	WINDINGSTAD Rasmus	M	1993
4		290844	<b>ITA - Italy</b> Team Leader : RULFI Gian Luca		
	41	299276	BASSINO Marta	F	1996
	42	297601	BRIGNONE Federica	F	1990
	43	298323	GOGGIA Sofia	F	1992
	45	6294327	BARBERA Corrado	M	2002
	46	6293775	DELLA VITE Filippo	M	2001

**Number of Competitors: 1, Number of NSAs: 1**

Team Number	Bib	FIS Code	Name	Gender	Year of Birth
5		202966	<b>GER - Germany</b> Team Leader : MAIER Wolfgang		
	51	507168	AICHER Emma	F	2003
	52	206355	DUERR Lena	F	1991
	53	355061	HILZINGER Jessica	F	1997
	55	200379	SANDER Andreas	M	1989
	56	202451	STRASSER Linus	M	1992
6		20493	<b>AND - Andorra</b> Team Leader : VIDOSA Roger		
	61	25223	MEDINA GIRONES Iria	F	2003
	62	25218	MIJARES RUF Carla	F	2002
	65	20463	CORNELLA GUITART Xavier	M	2001
	66	20460	GABRIEL GUTIERREZ Bartumeu	M	2000

**Jury**

FIS Technical Delegate	MASCIA Mario	FRA
Referee	GERDOL Peter	FIS
Assistant Referee	WALDNER Markus	FIS
Chief of Race	LOPEZ PRATS Santi	AND

**Technical Data**

Course Name	Aliga
Start Altitude	1776m
Finish Altitude	1710m
Vertical Drop	66m
Homologation Number	11111/12/13

**Race Information**

Course Setter	MAYR Markus	FIS
Gates/Turning Gates		
Start Time	12:00	

**Legend:**





















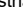







F	Female	M	Male
---	--------	---	------

**BRACKET**

1/8 Finals					1/4 Finals					1/2 Finals					Finals				
Run 1	Run 2	Run 3	Run 4	Pts	Run 1	Run 2	Run 3	Run 4	Pts	Run 1	Run 2	Run 3	Run 4	Pts	Run 1	Run 2	Run 3	Run 4	Pts
Heat 1 1  SUI					Heat 1 1  SUI Winner 1/8 Finals, Heat 2					Heat 1 1  SUI Winner 1/4 Finals, Heat 2					Big Final Winner 1/2 Finals, Heat 1 Winner 1/2 Finals, Heat 2				
Heat 2					Heat 2 4  ITA 5  GER					Heat 2 1  SUI 2  AUT Winner 1/4 Finals, Heat 3					Small Final Loser 1/2 Finals, Heat 1 Loser 1/2 Finals, Heat 2				
Heat 3 5  GER					Heat 3 3  NOR 6  AND					Heat 4 2  AUT Winner 1/8 Finals, Heat 8									
Heat 4 4  ITA					Heat 4														
Heat 5 3  NOR																			
Heat 6 6  AND																			
Heat 7																			
Heat 8 2  AUT																			

**Legend**  
 Pts Points

BRACKET

1/8 Finals					1/4 Finals					1/2 Finals					Finals				
Run 1	Run 2	Run 3	Run 4	Pts	Run 1	Run 2	Run 3	Run 4	Pts	Run 1	Run 2	Run 3	Run 4	Pts	Run 1	Run 2	Run 3	Run 4	Pts
Heat 1 1  SUI					Heat 1 1  SUI Winner 1/8 Finals, Heat 2					Heat 1 1  SUI Q 22.78 21.86 22.80 22.24 2 5  GER 22.71 22.55 22.83 22.14 2 TB: 44.64 13 16 11 15 TB: 44.85 52 55 53 56					Big Final 1  SUI 22.64 21.74 22.88 22.20 2 3  NOR W 22.12 22.11 23.21 21.70 2 TB: 43.82 31 36 32 35				
Heat 2					Heat 2 4  ITA +0.28 22.04 +0.14 +0.80 1 5  GER Q 22.74 +0.77 22.63 21.84 3 52 55 53 56					Heat 2 3  NOR Q +0.03 21.69 22.35 22.16 3 2  AUT 23.11 +0.19 +0.63 +0.81 1 21 26 22 27					Small Final 5  GER +0.35 +0.13 +0.03 +0.62 0 2  AUT w 22.93 21.77 22.84 21.98 4 21 26 22 27				
Heat 3 5  GER					Heat 3 3  NOR Q 22.61 21.67 23.24 22.27 4 6  AND +0.76 +1.49 +1.44 DNF 0 61 65 62 66					Heat 3 3  NOR Q +0.03 21.69 22.35 22.16 3 2  AUT 23.11 +0.19 +0.63 +0.81 1 21 26 22 27					Legend 1  Norway 2  Switzerland 3  Austria 4  Germany 5  Italy 6  Andorra				
Heat 4 4  ITA					Heat 4 2  AUT Winner 1/8 Finals, Heat 8														
Heat 5 3  NOR																			
Heat 6 6  AND																			
Heat 7																			
Heat 8 2  AUT																			

Legend	Pts	Points	Q	TB	w	W
DNF	Did Not Finish		Qualified for next phase	Tie break value	Small Final Winner	Big Final Winner



AUDI FIS SKI WORLD CUP FINALS  
**ANDORRA 2023**  
SOLDEU • EL TARTER  
**X GRANDVALIRA**



AUDI FIS SKI WORLD CUP FINALS 2022/23



Grandvalira Soldeu - El Tarter (AND)



1st Mixed Team Parallel

FRI 17 MAR 2023

START LIST 1/4 FINALS

Start Time 12:00

Number of Competitors: 17, Number of NSAs: 5

Run Order	Course Bib	FIS Code	NSA Name	Course Bib	FIS Code	NSA Name
-----------	------------	----------	----------	------------	----------	----------

Heat 1

1 SUI - Switzerland

Team Leader: TSCHUOR Beat

1	-
2	-
3	-
4	-

Heat 2

4 ITA - Italy

Team Leader: RULFI Gian Luca

1	R 41	299276	BASSINO Marta
2	B 46	6293775	DELLA VITE Filippo
3	B 42	297601	BRIGNONE Federica
4	R 45	6294327	BARBERA Corrado

5 GER - Germany

Team Leader: MAIER Wolfgang

-	B 52	206355	DUERR Lena
-	R 55	200379	SANDER Andreas
-	R 53	355061	HILZINGER Jessica
-	B 56	202451	STRASSER Linus

Heat 3

3 NOR - Norway

Team Leader: MITTER Christian

1	R 31	426193	STJERNESUND Thea Louise
2	B 35	422507	HAUGAN Timon
3	B 32	426043	TVIBERG Maria Therese
4	R 36	422278	WINDINGSTAD Rasmus

6 AND - Andorra

Team Leader: VIDOSA Roger

-	B 61	25223	MEDINA GIRONES Iria
-	R 65	20463	CORNELLA GUITART Xavier
-	R 62	25218	MIJARES RUF Carla
-	B 66	20460	GABRIEL GUTIERREZ Bartumeu

Heat 4

2 AUT - Austria

Team Leader: SCHWARZACHER Paulus

1	-
2	-
3	-
4	-

Legend:

B Blue R Red



# AUDI FIS SKI WORLD CUP FINALS

## ANDORRA 2023

### SOLDEU • EL TARTER

### X GRANDVALIRA



AUDI FIS SKI WORLD CUP FINALS 2022/23



Grandvalira Soldeu - El Tarter (AND)



1st Mixed Team Parallel

FRI 17 MAR 2023

RESULTS 1/4 FINALS

Start Time 12:00

Number of Competitors: 17, Number of NSAs: 5

Run Order	Course Bib	FIS Code	NSA Name	Time	Pts Gap	Pts Gap	Time	Course Bib	FIS Code	NSA Name
-----------	------------	----------	----------	------	---------	---------	------	------------	----------	----------

#### Heat 1

Qualified

1 SUI - Switzerland

#### Heat 2

Qualified

4 ITA - Italy

Team Leader: RULFI Gian Luca

1 - 3

5 GER - Germany

Team Leader: MAIER Wolfgang

1	R 41	299276	BASSINO Marta	23.02	+0.28	-	22.74	B 52	206355	DUERR Lena
2	B 46	6293775	DELLA VITE Filippo	22.04	-	+0.77	22.81	R 55	200379	SANDER Andreas
3	B 42	297601	BRIGNONE Federica	22.77	+0.14	-	22.63	R 53	355061	HILZINGER Jessica
4	R 45	6294327	BARBERA Corrado	22.64	+0.80	-	21.84	B 56	202451	STRASSER Linus

#### Heat 3

Qualified

3 NOR - Norway

Team Leader: MITTER Christian

4 - 0

6 AND - Andorra

Team Leader: VIDOSA Roger

1	R 31	426193	STJERNESUND Thea Louise	22.61	-	+0.76	23.37	B 61	25223	MEDINA GIRONES Iria
2	B 35	422507	HAUGAN Timon	21.67	-	+1.49	23.16	R 65	20463	CORNELLA GUITART Xavier
3	B 32	426043	TVIBERG Maria Therese	23.24	-	+1.44	24.68	R 62	25218	MIJARES RUF Carla
4	R 36	422278	WINDINGSTAD Rasmus	22.27	-	-	DNF	B 66	20460	GABRIEL GUTIER.

#### Heat 4

Qualified

2 AUT - Austria

Legend:	B	Blue	DNF	Did Not Finish	Pts	Points	R	Red
---------	---	------	-----	----------------	-----	--------	---	-----

FRI 17 MAR 2023 / Grandvalira Soldeu - El Tarter (AND) / 0067

Page 1/1

Data Processing by LONGINES

www.fis-ski.com

LONGINES Timing

Generation date : FRI 17 MAR 2023

Time : 13:00

Document: C73G 1.0





AUDI FIS SKI WORLD CUP FINALS  
**ANDORRA 2023**  
SOLDEU • EL TARTER  
**X GRANDVALIRA**



AUDI FIS SKI WORLD CUP FINALS 2022/23



Grandvalira Soldeu - El Tarter (AND)



1st Mixed Team Parallel

FRI 17 MAR 2023

START LIST 1/2 FINALS

Start Time 12:00

Number of Competitors: 16, Number of NSAs: 4

Run Order	Course Bib	FIS Code	NSA Name	Course Bib	FIS Code	NSA Name
-----------	------------	----------	----------	------------	----------	----------

Heat 1

1 SUI - Switzerland

Team Leader: TSCHUOR Beat

1	R 13	516562	RAST Camille
2	B 16	512301	SIMONET Livio
3	B 11	516283	ELLENBERGER Andrea
4	R 15	512274	BISSIG Semyel

5 GER - Germany

Team Leader: MAIER Wolfgang

-	B 52	206355	DUERR Lena
-	R 55	200379	SANDER Andreas
-	R 53	355061	HILZINGER Jessica
-	B 56	202451	STRASSER Linus

Heat 2

3 NOR - Norway

Team Leader: MITTER Christian

1	R 32	426043	TVIBERG Maria Therese
2	B 35	422507	HAUGAN Timon
3	B 31	426193	STJERNESUND Thea Louise
4	R 36	422278	WINDINGSTAD Rasmus

2 AUT - Austria

Team Leader: SCHWARZACHER Paulus

-	B 21	56392	GRITSCH Franziska
-	R 26	54444	GSTREIN Fabio
-	R 22	56416	SCHEIB Julia
-	B 27	54348	PERTL Adrian

Legend:

B Blue R Red



AUDI FIS SKI WORLD CUP FINALS  
**ANDORRA 2023**  
SOLDEU • EL TARTER  
**X GRANDVALIRA**



AUDI FIS SKI WORLD CUP FINALS 2022/23



Grandvalira Soldeu - El Tarter (AND)



1st Mixed Team Parallel

FRI 17 MAR 2023

RESULTS 1/2 FINALS

Start Time 12:00

Number of Competitors: 16, Number of NSAs: 4

Run Order	Course Bib	FIS Code	NSA Name	Time	Pts Gap	Pts Gap	Time	Course Bib	FIS Code	NSA Name
-----------	------------	----------	----------	------	---------	---------	------	------------	----------	----------

Heat 1

Qualified to Big Final by Time: 44.64

Qualified to Small Final: 44.85

1 SUI - Switzerland

2 - 2

5 GER - Germany

Team Leader: TSCHUOR Beat

Team Leader: MAIER Wolfgang

1	R 13	516562	RAST Camille	22.78	+0.07	-	22.71	B 52	206355	DUERR Lena
2	B 16	512301	SIMONET Livio	21.86	-	+0.69	22.55	R 55	200379	SANDER Andreas
3	B 11	516283	ELLENBERGER Andrea	22.80	-	+0.03	22.83	R 53	355061	HILZINGER Jessica
4	R 15	512274	BISSIG Semyel	22.24	+0.10	-	22.14	B 56	202451	STRASSER Linus

Heat 2

Qualified to Big Final

Qualified to Small Final

3 NOR - Norway

3 - 1

2 AUT - Austria

Team Leader: MITTER Christian

Team Leader: SCHWARZACHER Paulus

1	R 32	426043	TVIBERG Maria Therese	23.14	+0.03	-	23.11	B 21	56392	GRITSCH Franziska
2	B 35	422507	HAUGAN Timon	21.69	-	+0.19	21.88	R 26	54444	GSTREIN Fabio
3	B 31	426193	STJERNESUND Thea Louise	22.35	-	+0.63	22.98	R 22	56416	SCHEIB Julia
4	R 36	422278	WINDINGSTAD Rasmus	22.16	-	+0.81	22.97	B 27	54348	PERTL Adrian

Legend:	Blue	Pts	Points	R	Red
---------	------	-----	--------	---	-----

FRI 17 MAR 2023 / Grandvalira Soldeu - El Tarter (AND) / 0067

Page 1/1

Data Processing by LONGINES

www.fis-ski.com

LONGINES Timing

Generation date : FRI 17 MAR 2023

Time : 13:00

Document: C73G 1.0









# AUDI FIS SKI WORLD CUP FINALS

## ANDORRA 2023

### SOLDEU • EL TARTER

## X GRANDVALIRA



AUDI FIS SKI WORLD CUP FINALS 2022/23



Grandvalira Soldeu - El Tarter (AND)



1st Mixed Team Parallel

FRI 17 MAR 2023

RESULTS FINALS

Start Time 12:00

Number of Competitors: 16, Number of NSAs: 4

Run Order	Course Bib	FIS Code	NSA Name	Time	Pts Gap	Pts Gap	Time	Course Bib	FIS Code	NSA Name
-----------	------------	----------	----------	------	---------	---------	------	------------	----------	----------

4th Place **Small Final**

**5** **GER - Germany**

Team Leader: MAIER Wolfgang

1	R 53	355061	HILZINGER Jessica	23.28	+0.35	-
2	B 56	202451	STRASSER Linus	21.90	+0.13	-
3	B 52	206355	DUERR Lena	22.87	+0.03	-
4	R 55	200379	SANDER Andreas	22.60	+0.62	-

**0 - 4**

**2** **AUT - Austria**

Team Leader: SCHWARZACHER Paulus

B 21	56392	GRITSCH Franziska	22.93
R 26	54444	GSTREIN Fabio	21.77
R 22	56416	SCHEIB Julia	22.84
B 27	54348	PERTL Adrian	21.98

**3rd Place**

**2nd Place: 44.38** **Big Final**

**1** **SUI - Switzerland**

Team Leader: TSCHUOR Beat

1	R 13	516562	RAST Camille	22.64	+0.52	-
2	B 16	512301	SIMONET Livio	21.74	-	+0.37
3	B 11	516283	ELLENBERGER Andrea	22.88	-	+0.33
4	R 15	512274	BISSIG Semyel	22.20	+0.50	-

**2 - 2**

**3** **NOR - Norway**

Team Leader: MITTER Christian

B 31	426193	STJERNESUND Thea Louise	22.12
R 36	422278	WINDINGSTAD Rasmus	22.11
R 32	426043	TVIBERG Maria Therese	23.21
B 35	422507	HAUGAN Timon	21.70

**1st Place by Time: 43.82**

Legend:	Blue	Pts	Points	R	Red
B					

**Grandvalira Soldeu - El Tarter (AND)**


1st Mixed Team Parallel

**OVERALL FIS NATION CUP**

Number of Nations: 28

Rk	NSA	Overall			DH Points			SL Points			GS Points			SG Points			AC Points			PAR Points			TE Points
		M+W	M	W	M+W	M	W	M+W	M	W	M+W	M	W	M+W	M	W	M+W	M	W	M+W	M	W	M+W
1	SUI	<b>10814</b>	5939	4875	<b>2730</b>	1353	1377	<b>2434</b>	1310	1124	<b>2434</b>	1594	840	<b>2896</b>	1522	1374	-	-	-	-	-	-	<b>320</b>
2	AUT	<b>8497</b>	4592	3905	<b>2484</b>	1341	1143	<b>1550</b>	938	612	<b>1686</b>	1017	669	<b>2537</b>	1176	1361	-	-	-	-	-	-	<b>240</b>
3	NOR	<b>6975</b>	4865	2110	<b>1393</b>	921	472	<b>2037</b>	1668	369	<b>2022</b>	1425	597	<b>1123</b>	651	472	-	-	-	-	-	-	<b>400</b>
4	ITA	<b>6530</b>	2382	4148	<b>2451</b>	868	1583	<b>620</b>	471	149	<b>1476</b>	406	1070	<b>1803</b>	547	1256	-	-	-	-	-	-	<b>180</b>
5	USA	<b>4213</b>	1125	3088	<b>1198</b>	579	619	<b>1317</b>	102	1215	<b>1172</b>	207	965	<b>526</b>	237	289	-	-	-	-	-	-	-
6	FRA	<b>3592</b>	2357	1235	<b>975</b>	742	233	<b>576</b>	456	120	<b>965</b>	539	426	<b>1076</b>	620	456	-	-	-	-	-	-	-
7	GER	<b>3106</b>	1750	1356	<b>939</b>	637	302	<b>1161</b>	419	742	<b>220</b>	220	-	<b>586</b>	374	212	-	-	-	-	-	-	<b>200</b>
8	CAN	<b>1969</b>	1156	813	<b>586</b>	546	40	<b>453</b>	68	385	<b>443</b>	142	301	<b>487</b>	400	87	-	-	-	-	-	-	-
9	SLO	<b>1743</b>	648	1095	<b>657</b>	106	551	<b>345</b>	22	323	<b>653</b>	483	170	<b>88</b>	37	51	-	-	-	-	-	-	-
10	SWE	<b>1611</b>	169	1442	-	-	-	<b>1087</b>	151	936	<b>524</b>	18	506	-	-	-	-	-	-	-	-	-	-
11	SVK	<b>1054</b>	29	1025	<b>9</b>	-	9	<b>530</b>	-	530	<b>515</b>	29	486	-	-	-	-	-	-	-	-	-	-
12	CRO	<b>870</b>	393	477	-	-	-	<b>651</b>	192	459	<b>219</b>	201	18	-	-	-	-	-	-	-	-	-	-
13	NZL	<b>277</b>	-	277	<b>34</b>	-	34	-	-	-	<b>171</b>	-	171	<b>72</b>	-	72	-	-	-	-	-	-	-
14	AND	<b>260</b>	164	96	<b>16</b>	-	16	-	-	-	<b>84</b>	84	-	-	-	-	-	-	-	-	-	-	<b>160</b>
15	GBR	<b>226</b>	223	3	-	-	-	<b>226</b>	223	3	-	-	-	-	-	-	-	-	-	-	-	-	-
16	POL	<b>168</b>	-	168	-	-	-	-	-	-	<b>167</b>	-	167	<b>1</b>	-	1	-	-	-	-	-	-	-
17	BUL	<b>160</b>	160	-	-	-	-	<b>160</b>	160	-	-	-	-	-	-	-	-	-	-	-	-	-	-
18	CZE	<b>144</b>	12	132	-	-	-	<b>132</b>	-	132	-	-	-	<b>12</b>	12	-	-	-	-	-	-	-	-
19	BEL	<b>119</b>	119	-	-	-	-	<b>59</b>	59	-	<b>60</b>	60	-	-	-	-	-	-	-	-	-	-	-
20	GRE	<b>91</b>	91	-	-	-	-	<b>91</b>	91	-	-	-	-	-	-	-	-	-	-	-	-	-	-
21	ALB	<b>59</b>	-	59	-	-	-	<b>6</b>	-	6	<b>53</b>	-	53	-	-	-	-	-	-	-	-	-	-
22	ESP	<b>51</b>	51	-	-	-	-	<b>51</b>	51	-	-	-	-	-	-	-	-	-	-	-	-	-	-
23	CHI	<b>44</b>	44	-	<b>7</b>	7	-	-	-	-	-	-	-	<b>37</b>	37	-	-	-	-	-	-	-	-
23	LIE	<b>44</b>	44	-	<b>4</b>	4	-	-	-	-	-	-	-	<b>40</b>	40	-	-	-	-	-	-	-	-
25	FIN	<b>22</b>	22	-	<b>15</b>	15	-	-	-	-	<b>7</b>	7	-	-	-	-	-	-	-	-	-	-	-
25	JPN	<b>22</b>	6	16	-	-	-	<b>22</b>	6	16	-	-	-	-	-	-	-	-	-	-	-	-	-
27	BIH	<b>6</b>	-	6	<b>3</b>	-	3	-	-	-	-	-	-	<b>3</b>	-	3	-	-	-	-	-	-	-
27	DEN	<b>6</b>	6	-	-	-	-	-	-	-	<b>6</b>	6	-	-	-	-	-	-	-	-	-	-	-

Grandvalira Soldeu - El Tarter (AND)



1st Mixed Team Parallel

OVERALL BRANDS STANDINGS

Number of Brands: 11

Rank	Brand	Overall			DH Points			SL Points			GS Points			SG Points			AC Points			PAR Points		
		M+W	M	W	M+W	M	W	M+W	M	W	M+W	M	W	M+W	M	W	M+W	M	W	M+W	M	W
1	Head	8565	3135	5430	2715	1535	1180	1965	320	1645	1355	445	910	2530	835	1695	-	-	-	-	-	-
2	Atomic	6600	3330	3270	2375	1130	1245	1700	815	885	1285	565	720	1240	820	420	-	-	-	-	-	-
3	Rossignol	5100	2085	3015	590	340	250	1865	855	1010	2085	725	1360	560	165	395	-	-	-	-	-	-
4	Stoeckli	1995	1995	-	410	410	-	-	-	-	845	845	-	740	740	-	-	-	-	-	-	-
5	Fischer	1255	1015	240	265	170	95	580	520	60	95	95	-	315	230	85	-	-	-	-	-	-
6	Salomon	1090	200	890	200	160	40	125	-	125	425	-	425	340	40	300	-	-	-	-	-	-
7	-	1070	1070	-	-	-	-	490	490	-	580	580	-	-	-	-	-	-	-	-	-	-
8	Dynastar	655	470	185	80	-	80	300	300	-	120	120	-	155	50	105	-	-	-	-	-	-
9	Kaestle	500	-	500	500	-	500	-	-	-	-	-	-	-	-	-	-	-	-	-	-	-
10	Nordica	215	215	-	90	90	-	-	-	-	-	-	-	125	125	-	-	-	-	-	-	-
11	Voelkl	175	90	85	-	-	-	175	90	85	-	-	-	-	-	-	-	-	-	-	-	-